

ODC-59 SERIES OVERHEAD DOOR CONTACT



ODC-59 Mini shown

- UL and ULC listed
- 2" operating gap
- HG - 7" Horizontal gap
- 24" stainless steel armored cable
- Adjustable, aluminum L bracket
- Hermetically sealed reed switch

Application

The ODC-59 Series Overhead Door Contacts are exclusively designed for rugged high traffic installations. The reed switch is hermetically sealed with a PVC shock absorber enclosed within a solid aluminum housing. Installation wires are protected in a 24" stainless steel armored cable. The ODC-59 Series magnet is mounted on an adjustable L shaped bracket designed for greater flexibility, universal mounting, greater pulling power, and to provide a professional installation appearance.

The ODC-59-HG (horizontal gap) is designed as a solution for damaged or loose fitting doors.

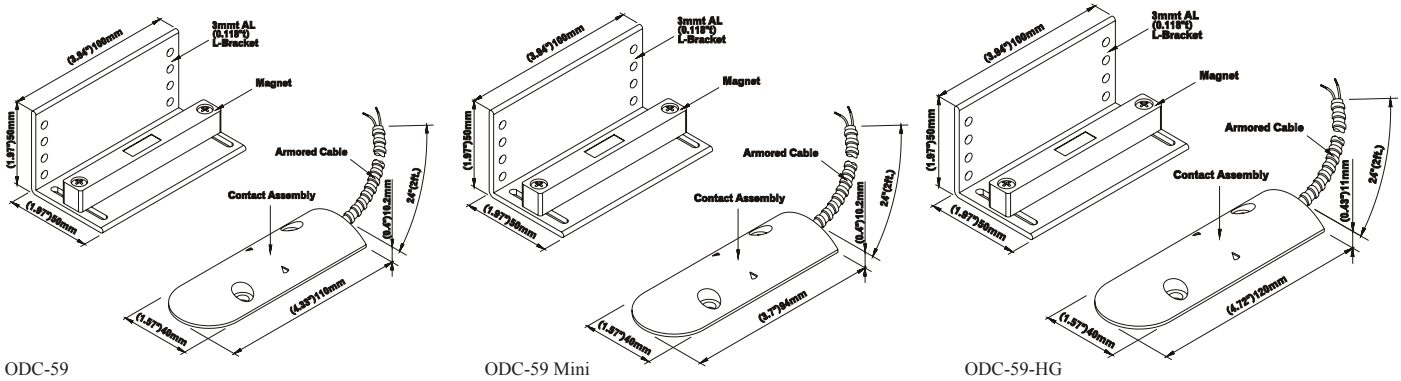
The ODC-59 MINI offers all the same great features in a smaller size for greater installation flexibility. (Not ULC listed)

ODC-59 Wiring Designations

With Magnet Installed:

Red = Normally-Open (N.O.)	Black = Common (Com)	Green = Normally-Closed (N.C.)
----------------------------	----------------------	--------------------------------

Dimensions



ODC-59

ODC-59 Mini

ODC-59-HG

Ordering Information

Model	Stock Number	Contact	Contact Rating	Contact Type	Max. Carry Current	Max. Switching Current	Breakdown Voltage	Operating Gap	Temperature Range
ODC-59A	4410003	22AWG 24" Leads	10VA	Form A N.O.	2 Amp	.5 Amp	250VDC	2"	32°F - 120°F (0°C - 49°C)
ODC-59A-36	4410004	22AWG 36" Leads							
ODC-59B	4410006	22AWG 24" Leads	3VA	Form C N.O./N.C.	.5 Amp	.2 Amp	150VDC		
ODC-59A-HG	4410018		10VA	Form A N.O.	2 Amp	.5 Amp	250VDC		
ODC-59B-HG	4410019		3VA	Form C N.O./N.C.	.5 Amp	.2 Amp	200VDC		
ODC-59A-MINI	4410017		10VA	Form A N.O.	2 Amp	.5 Amp	250VDC		
Accessories	4350178	Magnet and L bracket							