

The Digital Detection Series to ENVY

NV5

Don't just envy it.
Get it.



P ▲ R ▲ D ▲ O ▲ X™

ACTUAL SIZE

Easy to install Easy to use

- ▶ Average time to install: 5 - 10 minutes
- ▶ No PCB removal necessary
- ▶ Panel compatibility: EVO, Spectra, Magellan, 3rd party



Paradox Partners say:

"NV5's capable and sensitive fast detection ability will make our customers very happy."

Design

- ▶ Sleek
- ▶ Beautiful design
- ▶ Small
- ▶ Unobtrusive



Paradox Partners say:

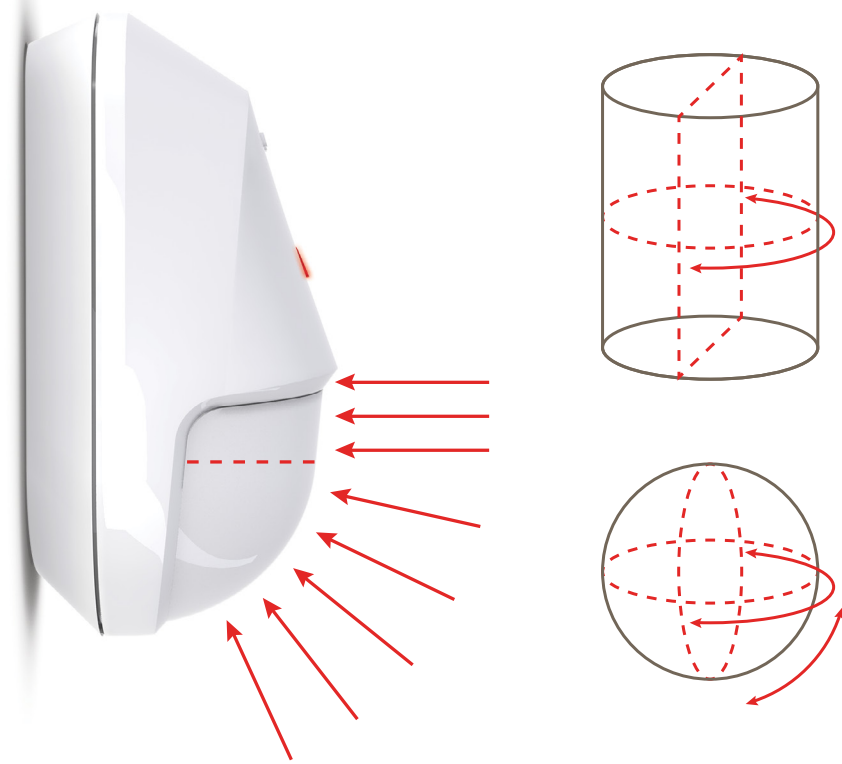
"NV5 is a marvel."

Faster & more reliable

Results of testing (compared to Paradox Pro476 and NV500):

NV5 has superior:

- ▶ Catch performance
- ▶ Even detection, no dead zone
- ▶ Response to movements – slow & fast
- ▶ False alarm immunity
- ▶ Temperature compensation
- ▶ RF immunity

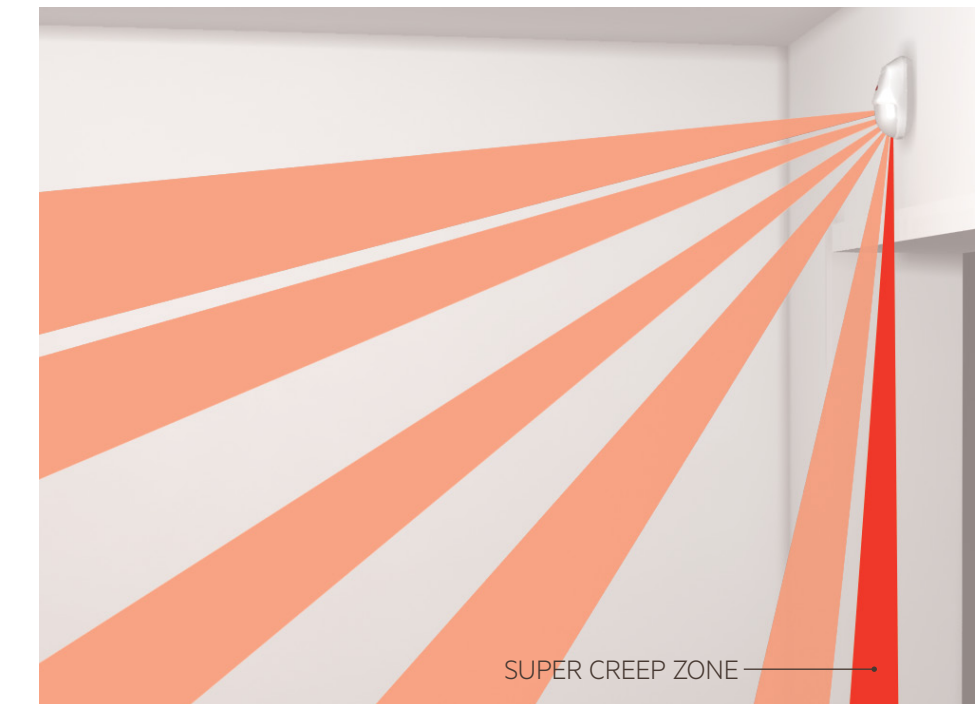


Paradox Partners say:

"One thing that impressed me - I was not able to walk even extremely slowly without being detected. I think it's a unique feature."

Customize sensitivity levels

- ▶ 5 levels of sensitivity
- ▶ Adjustable Creep Zone – Mirror add-on provides enhanced creep zone sensitivity and is recommended for best product performance
- ▶ Pet resistant



Paradox Partners say:

"NV5's digital detection is more capable and much more sensitive. Even slow movements and squatting through end points were fully captured. Tailored creep zone operation appreciated."

P ▲ R ▲ D ▲ O ▲ X™