



## **OWNER'S MANUAL**

### **FOR HOUSEHOLD USE ONLY**

Please read this document carefully before installing and/or using your vacuum cleaning system.

## **MANUEL D'INSTRUCTIONS**

### **USAGE DOMESTIQUE SEULEMENT**

Veuillez lire attentivement ce document avant de procéder à l'installation et/ou l'utilisation de votre système d'aspiration centralisée.

## **MANUAL DE INSTRUCCIONES**

### **SÓLO PARA USO DOMÉSTICO**

Por favor, lea atentamente este documento antes de proceder a la instalación y/o utilización de su sistema de aspiración central.

SERIAL NO/Nº SERIE : \_\_\_\_\_

# IMPORTANT SAFETY INSTRUCTIONS

---

When using an electrical appliance, basic precautions should always be followed, including the following.

Read all instructions before using this appliance.

## WARNING – To reduce the risk of fire, electric shock, or injury:

1. Do not leave appliance when plugged in. Unplug from outlet when not in use and before servicing.
2. Do not use outdoors or on wet surfaces.
3. Do not allow to be used as a toy. Close attention is necessary when used by or near children or disabled persons. This appliance is not intended for use by persons (including children) with reduced physical, sensory or mental capabilities, or lack of experience and knowledge; unless they have been given necessary instructions concerning the use of the appliance or are under the supervision of a person responsible for their safety.
4. Use only as described in this manual. Use only manufacturer's recommended attachments.
5. Do not use with damaged cord or plug. If appliance is not working as it should, has been dropped, damaged, left outdoors, or dropped into water, return it to a service center.
6. Do not pull or carry by cord, use cord as a handle, close a door on cord, or pull cord around sharp edges or corners. Do not run appliance over cord. Keep cord away from heated surfaces.
7. Do not unplug by pulling on cord. To unplug, grasp the plug, not the cord.
8. Do not handle plug or appliance with wet hands.
9. Do not put any objects into openings. Do not use with any opening blocked; keep free of dust, lint, hair, and anything that may reduce air flow.
10. Keep hair, loose clothing, fingers, and all parts of body away from openings and moving parts.
11. Do not pick up anything that is burning or smoking, such as cigarettes, matches, or hot ashes.
12. Do not use without dust bag and/or filters in place.
13. Turn off all controls before unplugging.
14. Use extra care when cleaning staircase.
15. Do not use to pick up flammable or combustible liquids such as gasoline or use in areas where they may be present.
16. Connect to a properly grounded outlet only. See Grounding Instructions.

**SAVE THESE INSTRUCTIONS**

# TABLE OF CONTENTS

---

---

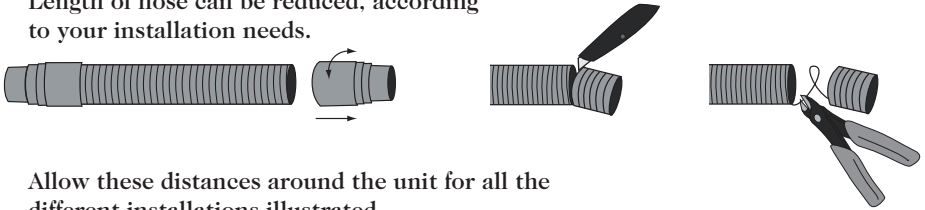
Preface	4
<b>INSTALLATION</b>	
Installation	5
Electric Connections	6
Grounding Instructions	7
Low Voltage Connections	8
<b>OPERATION INSTRUCTION</b>	
Hose Hook-Up & Inlets	9
<b>MAINTENANCE</b>	
Motor	10
Maintenance - Use with bag	11
Maintenance - Use without bag	12
<b>TROUBLESHOOTING</b>	
General Information	13
Decrease in suction strength	14
Vacuum will not start	16
Vacuum will not stop	17
<b>WARRANTY INFORMATION</b>	
WEEE Directive	19

# PREFACE

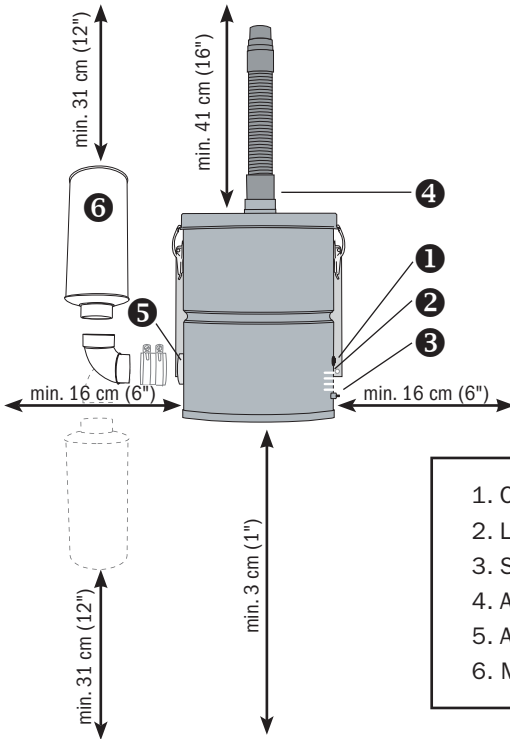
Your new central vacuum system was designed and manufactured by the largest central vacuum cleaner manufacturer in Canada. With over forty five years of experience in the field, we provide a high-quality, state-of-the-art product.

# INSTALLATION

Length of hose can be reduced, according to your installation needs.



Allow these distances around the unit for all the different installations illustrated

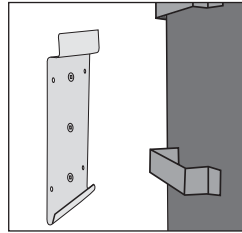


- 1. Circuit Breaker
- 2. Low Voltage Connector
- 3. Serial Number
- 4. Air Intake
- 5. Air Exhaust
- 6. Muffler (optional)

# INSTALLATION

## Vertical Installation

**WARNING:** If unit is equipped with a wall mounting plate (see figure below), it must be installed vertically.



## Horizontal Installation

Wall fixed unit

## Horizontal Installation

Ground fixed unit

# ELECTRIC CONNECTIONS

---

---

There should be an electric outlet within 1 meter (3 feet) of your central vacuum unit. Once the appliance is installed in a suitable location, connect your central unit to an electric outlet on a **grounded circuit**. Do not use extension cords or modify the length of your vacuum cleaner's power cord.

## **GROUNDING CIRCUIT**

- **North America**

120V : 15A

220V / 240V : 8A

Your central vacuum cleaner has a thermal safety device or a circuit breaker to protect against any over voltage or electrical defect. If that protection should fail, contact your authorized service center.

***If you find that installing your vacuum cleaner is too difficult, ask your service center to install it for you. When in doubt, it is better to have the work done by a professional and ensure that the unit is properly installed. Any installation that does not comply with the specified norms could alter or invalidate the warranty.***

# GROUNDING INSTRUCTIONS

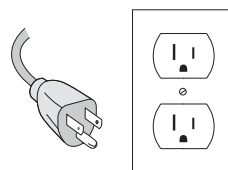
This appliance must be grounded. Should it malfunction or breakdown, grounding provides a path of least resistance for electric current to reduce the risk of electric shock. This appliance is equipped with a cord having an equipment-grounding conductor and grounding plug. The plug must be inserted into an appropriate outlet that is properly installed and grounded in accordance with all local codes and ordinances. No adaptor should be used with this appliance.

## WARNING

Improper connection of the equipment-grounding conductor can result in a risk of electric shock. Check with a qualified electrician or service person if you are in doubt as to whether the outlet is properly grounded. Do not modify the plug provided with the appliance – if it will not fit the outlet; have a proper outlet installed by a qualified electrician.

### 120 V MODEL

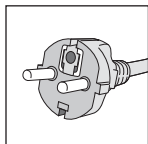
This appliance is for use on a nominal 120V circuit, and has a grounded plug (**figure 1**). Make sure that the appliance is connected to an outlet having the same configuration as the plug. No adaptor should be used with this appliance.



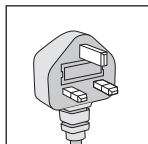
*figure 1*

### 220 V/240 V MODEL

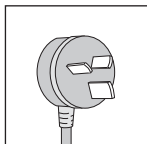
This appliance is for use on a circuit having a nominal rating of 220V/240V and is factory-equipped with a specific cord and plug to permit connection to a proper electric circuit. Make sure that the appliance is connected to an outlet having the same configuration as the plug. No adaptor should be used with this appliance. If the appliance must be reconnected to fit a different type of electric circuit, the reconnections should be made by qualified service personnel.



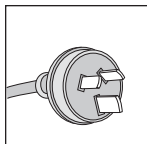
*Type C*



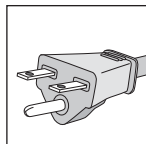
*Type G*



*Type H*



*Type I*



*Nema 6-15 R*

# LOW VOLTAGE CONNECTIONS

Connect the low voltage wires to the low voltage inlet on your unit. To do so, simply strip wires over 1/2 cm (1/4"), remove the terminals from the low voltage inlet on the unit, and proceed according to the types of inlet and wire used.

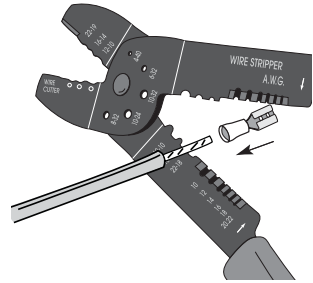
## STANDARD LOW VOLTAGE INLET

### All types of wire

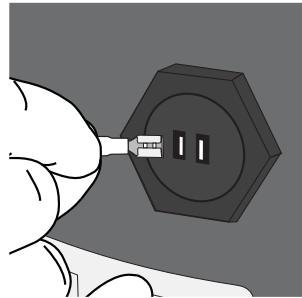
Twist the stranded wire to tighten the loose strands together before proceeding. Insert the wire into the terminal (blue connector). Using your wire strippers, tighten the terminal at two places: at the front, to hold the wire in place, and at the back, to tighten the insulator around the wire (**figure 2**). If the insulator does not completely cover the stripped wire, use electrical tape to insulate the wire adequately, and prevent all contact between the 2 wires. Insert the terminal into the low voltage inlet (**figure 3**).

### To disconnect

Do not pull on wire. Simply remove the terminal from the low voltage inlet.



**figure 2**



**figure 3**



# HOSE HOOK-UP & INLETS

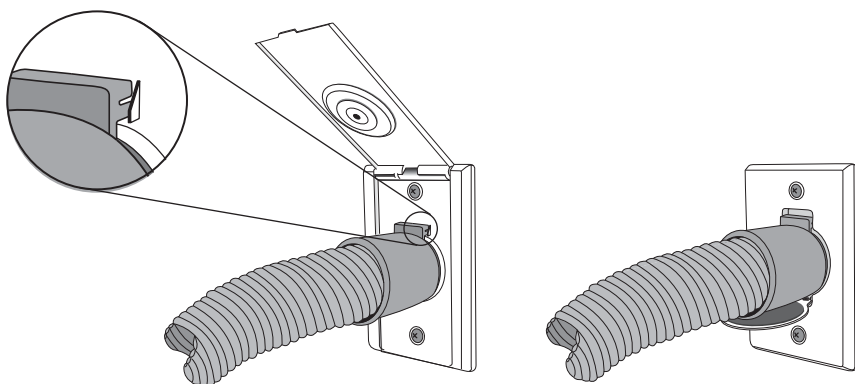
## BEFORE OPERATING YOUR CENTRAL VACUUM...

Please verify that it is properly connected to the piping system, and to a grounded electrical outlet, and that the low voltage wires are connected to the unit (see pages 8 to 16). Then read the complete owner's manual and proceed with a quick verification of your installation:

- Check filter and bag to be sure they are properly installed.
- Check rubber seals in each vacuum inlet.
- Plug the hose alternatively into each vacuum inlet, to ensure that each one works properly.
- While the hose is still plugged into one inlet and the system is operational, check other inlets for leaks.

To start your central vacuum, simply insert the hose in the vacuum inlet of your choice. Please ensure that the tab on the hose end is properly lined up with the slot in the inlet opening (**figure 4**). If your hose handle has an integrated on/off switch, simply slide the switch to the “on” position.

**Do not try to open another inlet while your system is in operation, as it may damage the inlet's rubber seal.**



*figure 4*

# MOTOR

---

---

Please note that the vacuum ***motor does not require lubrication***. Each motor contains two carbon brushes which will wear normally, and may eventually require replacement. For warranty purposes, this should be done by an authorized service center. Brush's life is affected by the number of hours used, frequency of start-ups and shut-downs, humidity, altitude, and temperature. In order to avoid damage to the motor itself, brushes should be replaced before they are completely worn out. We therefore recommend that you have your unit and motors inspected by a service center every 5 years.

# MAINTENANCE



## USE WITH BAG

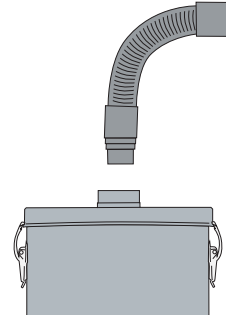
- REQUIRED FOR HORIZONTAL INSTALLATION

PART NUMBER: TDSAC70N

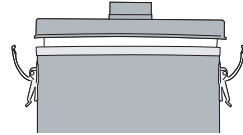
**Change the bag when the one in place is full.**  
**Frequency will depend on the use of the unit.**

1. Disconnect the unit from power source.
2. Remove the flexible hose from unit lid adaptor (**figure 5**).
3. Unlatch the two clips and remove lid (**figure 6**).
4. Rotate the bag until the notches are lined up with the tabs on the bag adaptor, and remove bag.
5. Seal bag opening with adhesive provided (see instructions on bag collar). Discard used bag.
6. Install the new bag, ensuring the notches are aligned with the tabs on the adaptor (**figure 7**). Then rotate so they are slightly misaligned, and thus ensure bag retention.
7. Ensure adequate sealing by ensuring that the bag membrane is inserted as far as the retention ring.
8. Replace unit lid and seal by latching both clips.
9. Replace the flexible hose to unit lid adaptor.
10. Reconnect unit to power source.

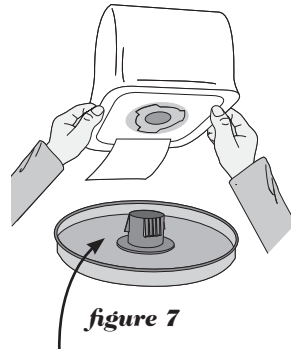
***Use only genuine replacement bags. Failure to do so could void the warranty on your vacuum unit.***



**figure 5**



**figure 6**



**figure 7**

**retention ring**

# MAINTENANCE



## USE WITHOUT BAG

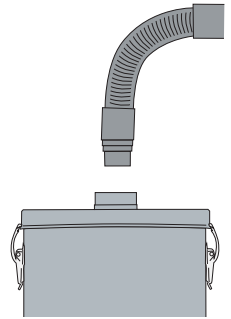
- FOR VERTICAL INSTALLATION ONLY

***We recommend you empty and clean the filter at least each season, depending on use of your central vacuum.***

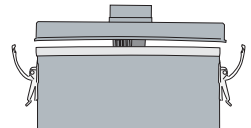
1. Disconnect the unit from power source.
2. Remove the flexible hose from unit lid adaptor (**figure 8**).
3. Unlatch the two clips and remove lid (**figure 9**).
4. Remove filter and empty (**figure 10**).
5. To clean filter, wash by hand in warm soapy water. Rinse well. Allow to dry completely before replacing in unit. Do not machine wash or dry.



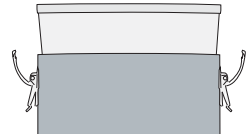
6. Replace filter. Ensure that the filter seal is well inserted on the unit rim (**figure 11**).
7. Replace unit lid and seal by latching both clips.
8. Replace the flexible hose to unit lid adaptor.
9. Reconnect unit to power source.



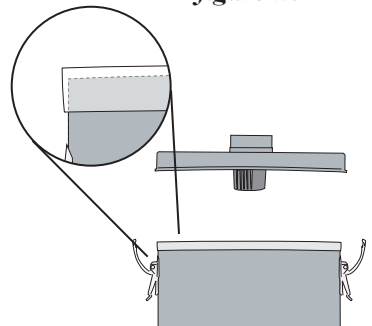
***figure 8***



***figure 9***



***figure 10***



***figure 11***

## GENERAL INFORMATION

---

If the vacuum unit does not work, check the breaker on the unit and/or in the electrical panel in your home, and replace any defective part(s) as deemed necessary. Please verify that the unit has been installed properly, according to the instructions in this manual.

Your vacuum cleaning system is designed to collect everyday dry matter (dust). It is approved by authorized testing agencies for dry use only. Do not use on wet surfaces.

Should you accidentally vacuum liquids, immediately unplug the unit from the electric outlet. Change the bag if one is used, wash the filter and allow to dry completely before replacing, then empty and wipe the dust recipient with a dry cloth. Then operate the system from the vacuum inlet through which you vacuumed the liquid, in order to eliminate all moisture in the piping system.

We strongly recommend against vacuuming abrasive materials such as cement, plaster and gyproc dust. This fine dust could work its way into the motor, causing considerable damage. Should you do so inadvertently, immediately clean the filters and, as a precautionary measure, contact your authorized service center to determine the extent of the damage to the unit.

***Remember that in order for your warranty to remain valid, maintenance of the motor and repairs to the unit itself must be carried out by an authorized service center.***

# TROUBLESHOOTING

PROBLEM	POSSIBLE CAUSE	CORRECTIVE ACTION
<p><b>Decrease in suction strength</b></p>	<p>Bag/Filter is full</p>	<p>Empty filter / change bag (see pages 11 and 12).</p>
	<p>Unit lid is not properly attached</p>	<p>Check clamps and lid alignment.</p>
	<p>Open vacuum inlet</p>	<p>Close all vacuum inlets not in use.</p>
	<p>Exhaust line is clogged</p>	<p>Verify that no object is blocking the exhaust.</p>
	<p>Blocked hose</p>	<p>Plug the handle end of the hose into the suction inlet, thus reversing the suction in the hose. Cover the gap around the handle, to ensure suitable suction strength, and ensure contact with inlet contacts to start the unit. This should clear the hose.</p>

## TROUBLESHOOTING

PROBLEM	POSSIBLE CAUSE	CORRECTIVE ACTION
<b>Decrease in suction strength (cont.)</b>	Obstruction in the piping system	Remove the screw from the air intake connector, to free the central vacuum unit from the piping system. Start the unit by plugging the hose into a vacuum inlet. By placing your extended hand over the air intake opening on the unit, check the suction strength on the unit itself. If suction strength is normal, the obstruction is in the piping system. If suction strength is diminished or completely absent, have the unit checked by an authorized service center.
<b>If none of these suggestions restore suction strength, contact your authorized service center.</b>		

# TROUBLESHOOTING

PROBLEM	POSSIBLE CAUSE	CORRECTIVE ACTION
<b>Vacuum will not start</b>	The electrical power is not connected properly	Ensure that the power cord is plugged into a grounded electrical outlet, according to specifications on page 7.
	Low voltage wire not connected properly	Verify the low voltage wires, make sure they are properly inserted into the low voltage inlet, as per instructions on page 8.
	Faulty vacuum inlet	Start the vacuum unit from other inlets in your home, to identify the defective inlet.
	Unit circuit breaker is off	Press the reset button to reset the unit circuit breaker. If unit restarts and automatically shuts off shortly after, contact an authorized service center.
	In-house circuit breaker is off	Reset the circuit breaker in your electrical panel. Verify that your central vacuum unit is connected on a dedicated grounded circuit (see pages 6 and 7).
	Defective on/off hose	Turn the hose ¼ of turn in the vacuum inlet. If unit starts, have the vacuum hose checked by a certified service center.
<p><b>If none of these suggestions help start your vacuum unit, contact your authorized service center.</b></p>		



## TROUBLESHOOTING

PROBLEM	POSSIBLE CAUSE	CORRECTIVE ACTION
<b>Vacuum will not stop</b>	Hose improperly inserted into vacuum inlet	Ensure that the hose end is properly placed in the vacuum inlet: the tab on the hose should fit into the slots on the inlet, to ensure adequate contacts for the hose switch to function (see page 9).
	Defective on/off hose	If the hose is properly placed in the vacuum inlet, and the unit continues running despite the fact that the hose switch is in the “off” position, have the hose checked by a service center.
	Low voltage wire not connected properly	While vacuum is on, unplug low voltage wires from unit. If the vacuum stops, there’s a faulty low voltage wire. Contact your fitter or authorized service center.
<b>If in spite of these suggestions your vacuum unit is still not stopping, contact your authorized service center.</b>		

# WARRANTY INFORMATION

---

---

The motors and electrical components are entirely guaranteed for a period of 3 years.

In order to maintain your warranty, all repairs must be made by an authorized Mvac service center, with original Trovac parts. Failure to do so could void the warranty.

This warranty excludes normal wear and tear of certain parts such as filters, damages caused (according to Mvac) by abusive use (ex.: drywall dust, water, etc.), commercial use, the lack of appropriate maintenance, inadequate installation, negligence, natural disasters, accidents, and acts of God.

This warranty is valid for domestic use only. This warranty is not a modification but an addition to warranties required by law. ***Any claim relative to this warranty must be accompanied by the original invoice.*** Any changes or modifications made to the product may invalidate this warranty. Transportation and service calls are excluded. This warranty is non transferable.

Keep all payment records (bill of sale, delivery slip). The date on these records establishes the warranty period. Should warranty service be required, you must show proof of purchase. If proof of purchase cannot be supplied, the warranty period will be determined from the date of manufacture of the product.

Mvac shall not be held responsible for any consequential, incidental, or special damages arising from the use of this central vacuum.

# WEEE DIRECTIVE

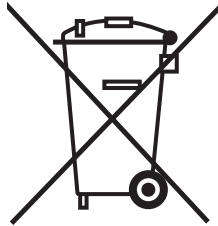
## *Important Environmental Information – European Economic Area only*

This appliance has been assessed in accordance with the European Parliament Directive on Waste Electrical and Electronic Equipment, usually referred to as the WEEE Directive.

The WEEE Directive requires that the appliance be disposed of at the end of its useful life in an environmentally responsible manner. Parts and materials should be re-used or re-cycled in order that the use of new resources and amount of waste going for landfill can be minimized.

The WEEE Directive stipulates that the supplier should collect the used item without cost for you. Please inform the supplier of your wish to have the old appliance collected when ordering the replacement.

If you wish to dispose of the appliance yourself, do not mix it with unsorted municipal waste. The crossed-out wheeled bin symbol on the unit label (**figure 12**) indicates this requirement. You must ensure that the appliance is disposed of at an authorised treatment facility. Details can be obtained from your local council.



*figure 12*





## MANUEL D'INSTRUCTIONS

USAGE DOMESTIQUE SEULEMENT

**Veillez lire attentivement ce document  
avant de procéder à l'installation et/ou l'utilisation  
de votre système d'aspiration centralisée.**

# IMPORTANTES MESURES DE SÉCURITÉ

L'utilisation d'un appareil électrique demande certaines précautions.

Lire toutes les instructions avant de faire fonctionner cet appareil.

## AVERTISSEMENT

Pour réduire les risques d'incendie, de choc électrique ou de blessure :

1. Ne pas laisser l'appareil sans surveillance lorsqu'il est branché. Débrancher lorsque l'appareil n'est pas utilisé et avant l'entretien.
2. Ne pas utiliser à l'extérieur et ne pas aspirer de déchets humides.
3. Cet appareil n'est pas destiné à l'usage des enfants ou de toute personne atteinte d'incapacité physique, sensorielle, motrice ou intellectuelle, ou encore de personnes ne possédant pas les connaissances et/ou l'expérience pertinente à son utilisation, à moins que celles-ci n'aient reçu les instructions nécessaires concernant l'utilisation de l'appareil ou qu'elles demeurent sous la supervision immédiate d'une personne responsable de leur sécurité.
4. N'utiliser que conformément à cette notice avec les accessoires recommandés par le fabricant.
5. Ne pas utiliser si le cordon ou la fiche est endommagé. Retourner l'appareil au centre de service Mvac s'il ne fonctionne pas bien, s'il est tombé ou s'il a été endommagé, oublié à l'extérieur ou immergé.
6. Ne pas tirer, soulever, ni traîner l'appareil par le cordon. Ne pas utiliser le cordon comme une poignée, le coincer dans l'embrasure d'une porte ou l'appuyer contre des arêtes vives ou des coins. Ne pas faire rouler l'appareil sur le cordon. Garder le cordon à l'écart des surfaces chaudes.
7. Ne pas débrancher en tirant sur le cordon. Tirer plutôt sur la fiche.
8. Ne pas toucher la fiche ou l'appareil lorsque vos mains sont humides.
9. N'insérer aucun objet dans les ouvertures. Ne pas utiliser l'appareil lorsqu'une ouverture est bloquée. S'assurer que de la poussière, de la peluche, des cheveux ou d'autres déchets ne réduisent pas le débit d'air.
10. Maintenir les cheveux, les vêtements amples, les doigts et toutes les parties du corps à l'écart des ouvertures et des pièces mobiles.
11. Ne pas aspirer de matières en combustion ou qui dégagent de la fumée, comme des cigarettes, des allumettes ou des cendres chaudes.
12. Ne pas utiliser l'appareil si le sac à poussière ou le filtre n'est pas en place.
13. Mettre toutes les commandes à la position ARRÊT avant de débrancher l'appareil.
14. User de prudence lors du nettoyage des escaliers.
15. Ne pas aspirer des liquides inflammables ou combustibles, comme de l'essence, et ne pas faire fonctionner dans des endroits où peuvent se trouver de tels liquides.
16. Ne brancher qu'à une prise de courant avec mise à la terre. Voir les instructions visant la mise à la terre.

## CONSERVER CES INSTRUCTIONS

# TABLE DE MATIÈRES

---

---

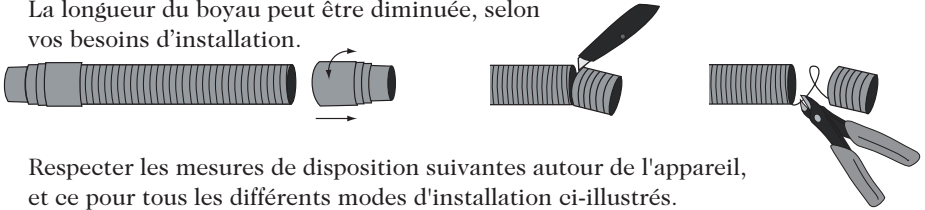
Préface	4
<b>INSTALLATION</b>	
Installation	4
Connexions électriques	6
Mise à la terre	7
Connexions bas voltage	8
<b>UTILISATION</b>	
Mise en marche	9
<b>ENTRETIEN</b>	
Moteur	10
Entretien - Utilisation avec sac	11
Entretien - Utilisation sans sac	12
<b>DÉPANNAGE</b>	
Informations générales	13
Diminution de la force d'aspiration	14
L'appareil ne démarre pas	16
L'appareil n'arrête pas	17
<b>GARANTIE</b>	18
Directive DEEE	19

# PRÉFACE

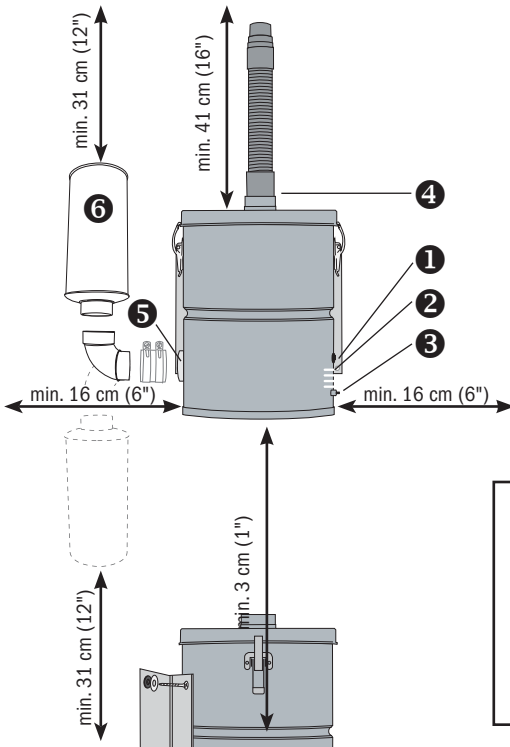
Votre nouvel appareil a été conçu et fabriqué par le plus grand manufacturier d'aspirateurs centralisés au Canada. Nos 45 ans d'expérience dans le domaine nous permettent de vous offrir un produit de haute qualité, à la fine pointe de la technologie et la garantie d'une entière satisfaction.

## INSTALLATION

La longueur du boyau peut être diminuée, selon vos besoins d'installation.



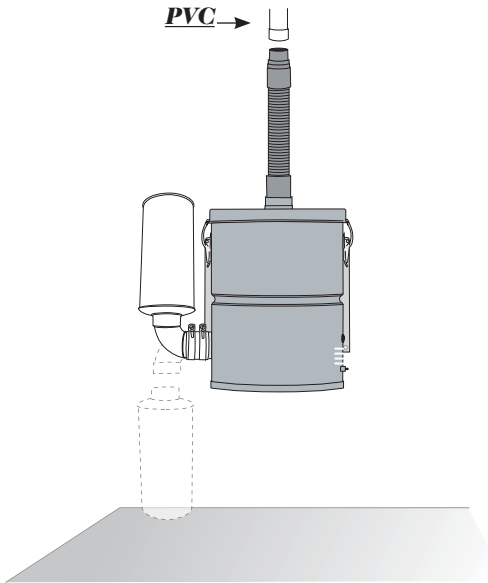
Respecter les mesures de disposition suivantes autour de l'appareil, et ce pour tous les différents modes d'installation ci-illustrés.



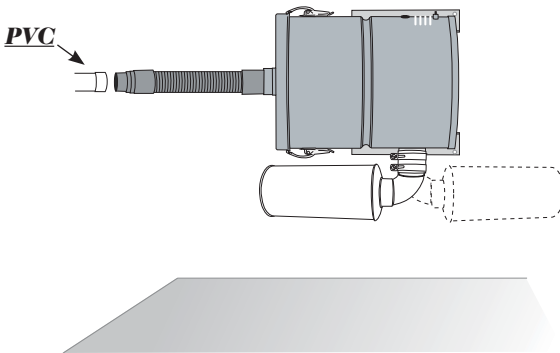
1. Connecteur bas voltage
2. Numéro de série
3. Disjoncteur
4. Entrée d'air
5. Sortie d'air
6. Silencieux (optionnel)



# INSTALLATION

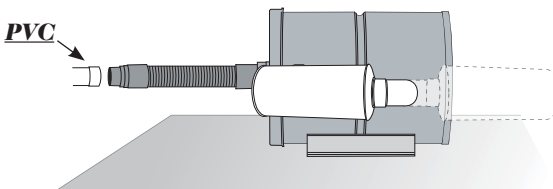


***Installation verticale***



***Installation horizontale***

Appareil fixé au mur



***Installation horizontale***

Appareil fixé au sol

# CONNEXIONS ÉLECTRIQUES

---

Vous devrez prévoir une prise électrique à tout au plus 1 mètre (3 pieds) de votre appareil. Une fois l'appareil installé dans un endroit propice, brancher votre centrale à une prise électrique sur un **circuit électrique avec mise à la terre** (ground). Ne pas utiliser une rallonge électrique, ni modifier la longueur du cordon électrique de votre aspirateur.

## **CIRCUIT ÉLECTRIQUE AVEC MISE À LA TERRE**

### **• Amérique du Nord**

120V : 15A

220V / 240 : 8A

Votre aspirateur central comporte une protection thermique ou un disjoncteur contre tout survolage ou déféctuosité électrique. Si ce dernier fait défaut, veuillez contacter votre centre de service autorisé.

***Si vous jugez que l'installation de votre aspirateur est trop ardue, demandez à votre centre de service d'en faire l'installation. Dans l'incertitude, il vaut mieux recourir aux services d'un professionnel et s'assurer d'une installation adéquate, puisqu'une installation non conforme aux normes spécifiées pourrait modifier ou annuler la garantie.***

# MISE À LA TERRE

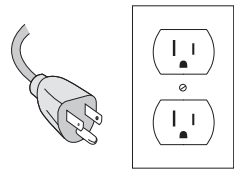
Cet appareil doit être mis à la terre. En cas de défaillance ou de panne, la mise à la terre fournit au courant un chemin de moindre résistance qui réduit le risque de choc électrique. Cet appareil est pourvu d'un cordon muni d'un conducteur de terre et d'une fiche avec broche de terre. La fiche doit être branchée dans une prise appropriée, correctement installée et mise à la terre conformément aux règlements et obligations locales. Aucun adaptateur ne devrait être utilisé avec cet appareil.

## AVERTISSEMENT

Un conducteur de terre mal raccordé peut entraîner un risque de choc électrique. Consulter un électricien ou un technicien d'entretien qualifié si vous n'êtes pas certain que la prise est correctement mise à la terre. Ne pas modifier la fiche fournie avec l'appareil – si elle ne peut être insérée dans la prise, faire installer une prise adéquate par un électricien qualifié.

### **MODÈLE 120V**

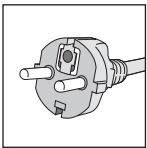
Cet appareil est destiné à un circuit de 120V et est muni d'une fiche de mise à la terre (**figure 1**). S'assurer que l'appareil est branché à une prise de courant ayant la même configuration que la fiche. Aucun adaptateur ne devrait être utilisé avec cet appareil.



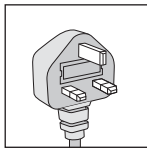
*figure 1*

### **MODÈLE 220V/240V**

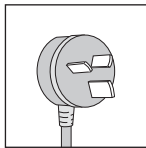
Cet appareil est destiné à un circuit de 220V/240V et a été pourvu, en usine, d'un cordon et d'une fiche spécifiques permettant de le brancher à un circuit électrique adéquat. S'assurer que l'appareil est branché à une prise de courant de même configuration que la fiche. Aucun adaptateur ne devrait être utilisé avec cet appareil. S'il est nécessaire de modifier les connexions de l'appareil pour l'adapter à une alimentation électrique d'un autre type, la modification devrait être effectuée par un technicien d'entretien qualifié.



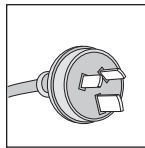
**Type C**



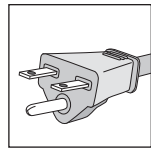
**Type G**



**Type H**



**Type I**



**Nema 6-15 R**

# CONNEXIONS BAS VOLTAGE

Raccorder les fils de bas voltage aux bornes de votre appareil. Pour ce faire, simplement dénuder les fils sur une longueur de 0,5 cm ( $\frac{1}{2}$ " ), retirer les cosse des bornes de bas voltage et procéder selon le type de borne et de fil utilisés.

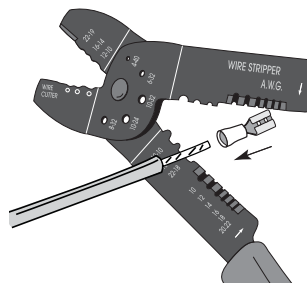
## **BORNES STANDARDS**

### **Tous les types de fil**

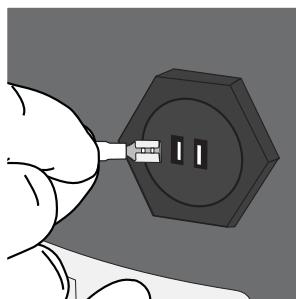
Torsader le fil multibrins avant de procéder. Introduire le fil dans la cosse (petit connecteur à embout bleu). Utiliser une pince à sertir pour serrer la cosse à deux endroits : une fois à l'avant pour maintenir le fil et une fois à l'arrière pour serrer l'isolant (**figure 2**). Si l'isolant ne recouvre pas complètement le fil dénudé, veuillez utiliser du ruban isolant pour bien l'isoler et prévenir tout contact entre les 2 fils. Insérer la cosse dans la borne de bas voltage (**figure 3**).

### **Pour défaire les connexions**

Simplement retirer la cosse de la borne bas voltage. Ne pas tirer sur le fil.



**figure 2**



**figure 3**

# MISE EN MARCHÉ

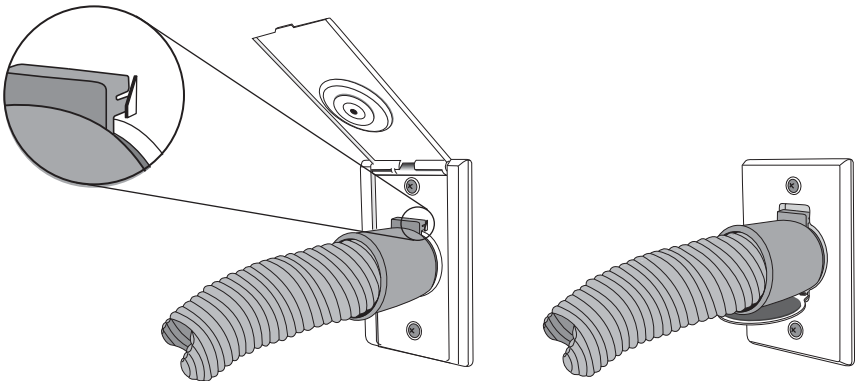
## AVANT D'UTILISER VOTRE ASPIRATEUR CENTRAL :

Veillez vérifier que l'appareil est bien connecté au réseau de tuyauterie, ainsi qu'à une prise électrique avec mise à la terre et que les fils de bas voltage sont bien insérés au connecteur (voir page 8). Nous vous conseillons de lire le manuel d'instructions au complet et de procéder à la vérification de l'installation :

- S'assurer que le filtre et le sac sont en bon état et installés convenablement.
- Vérifier les joints d'étanchéité de chaque prise d'aspiration.
- Brancher le boyau flexible dans chacune des prises alternativement, pour en assurer le bon fonctionnement.
- Pendant que le boyau flexible est branché dans une prise et que le système fonctionne, vérifier les autres prises pour vous assurer de leur étanchéité.

Pour démarrer votre appareil, simplement insérer le boyau dans la prise d'aspiration de votre choix. Veillez vous assurer que l'onglet sur le boyau est bien aligné entre les coches de la prise d'aspiration (**figure 4**). Si votre boyau est muni d'un interrupteur, simplement le mettre en circuit.

***Ne pas tenter d'ouvrir une autre prise d'aspiration lorsque l'appareil est en fonction. Cette manœuvre pourrait endommager le joint d'étanchéité de la prise.***



***figure 4***

## MOTEUR

---

Veillez noter que le moteur **ne requière aucune lubrification**. Chaque moteur est muni de deux brosses de carbone (charbon) qui s'useront normalement et qui pourraient éventuellement nécessiter un remplacement. Pour maintenir votre garantie, ce travail devra être effectué par un centre de service autorisé. La durabilité des brosses dépend de plusieurs facteurs dont : la fréquence des arrêts/départs, l'humidité, l'altitude et la température ambiante. Les brosses de carbone (charbon) doivent être remplacées avant que l'usure avancée puisse endommager le moteur lui-même. Nous vous suggérons de faire inspecter votre appareil par un centre de service à tous les 5 ans.



## UTILISATION AVEC SAC

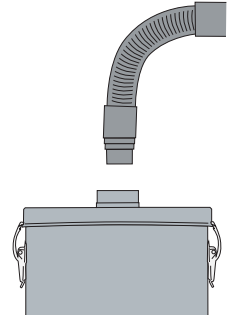
**CODE DE PIÈCE :**  
**TDSAC70N**

### **REQUISE POUR TOUTE INSTALLATION HORIZONTALE**

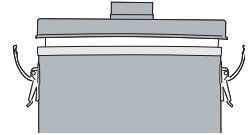
Changer le sac lorsque celui-ci est plein. Suivant l'utilisation de l'appareil, la durée de remplissage peut varier.

1. Déconnecter l'aspirateur de l'alimentation électrique.
2. Retirer le flexible de l'adaptateur sur le couvercle de l'appareil (**figure 5**).
3. Défaire les deux attaches et retirer le couvercle de l'appareil (**figure 6**).
4. Tourner le sac pour bien en aligner les coches avec les pointes de l'adaptateur et retirer le sac.
5. En sceller l'ouverture avec l'autocollant prévu à cet effet (voir instructions sur le sac). Jeter le sac usagé.
6. Installer le nouveau sac, en vous assurant d'aligner les coches du sac avec les pointes de l'adaptateur (**figure 7**). Ensuite, effectuer une petite rotation pour les désaligner, assurant ainsi une meilleure rétention du sac.
7. Assurer l'étanchéité en vous assurant que la membrane du sac est bien insérée jusqu'à la bague de rétention.
8. Replacer le couvercle et fermer hermétiquement à l'aide des deux attaches.
9. Fixer le flexible au couvercle de l'appareil.
10. Reconnecter l'aspirateur à l'alimentation électrique.

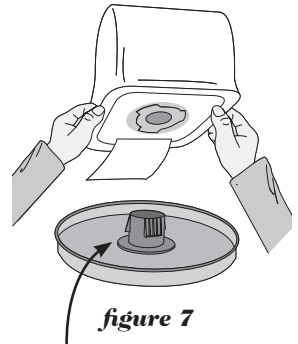
***Afin d'assurer la garantie sur votre appareil, utiliser uniquement les sacs de remplacement authentiques.***



**figure 5**



**figure 6**



**figure 7**  
**bagne de rétention**

# ENTRETIEN



## UTILISATION SANS SAC

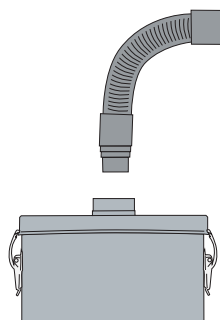
### POUR INSTALLATION VERTICALE SEULEMENT

Nous vous recommandons de vider et nettoyer le filtre au moins à chaque saison, selon la fréquence d'utilisation de votre aspirateur.

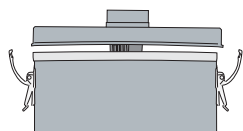
1. Déconnecter l'aspirateur de l'alimentation électrique.
2. Retirer le flexible de l'adaptateur sur le couvercle de l'appareil (**figure 8**).
3. Défaire les deux attaches et retirer le couvercle de l'appareil (**figure 9**).
4. Retirer le filtre et le vider dans un récipient approprié (**figure 10**).
5. Pour nettoyer le filtre, laver le à la main, dans de l'eau tiède savonneuse et bien le rincer. S'assurer qu'il est complètement sec avant de le remettre dans l'appareil. Ne pas laver en machine, ni sécher par culbutage.



6. Replacer le filtre en vous assurant que le joint d'étanchéité est bien inséré sur le pourtour de l'appareil (**figure 11**).
7. Replacer le couvercle et fermer hermétiquement à l'aide des deux attaches.
8. Fixer le flexible au couvercle de l'appareil.
9. Reconnecter l'aspirateur à l'alimentation électrique.



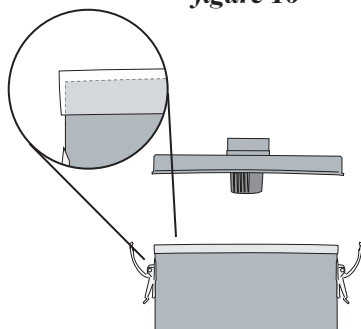
**figure 8**



**figure 9**



**figure 10**



**figure 11**



## INFORMATIONS GÉNÉRALES

---

Si votre aspirateur ne fonctionne pas, vérifiez le disjoncteur sur l'appareil et/ou dans la boîte électrique de votre demeure. Si nécessaire, remplacer l'élément défectueux. S'assurer que l'appareil a été installé adéquatement, selon les directives du manuel d'instructions.

Votre système d'aspiration est conçu pour ramasser les matières sèches (poussière) de tous les jours. Il est approuvé par les agences de certification pour usage à sec seulement. Ne pas utiliser sur des surfaces mouillées.

Dans le cas où votre appareil aspire des liquides, veuillez immédiatement débrancher l'appareil de la prise électrique. Ensuite, vider et assécher l'unité, puis faire fonctionner l'appareil à partir de la prise d'où vous avez aspiré le liquide, pour assécher les conduits et éliminer l'humidité.

Il est fortement déconseillé d'aspirer des matières abrasives (poussière de plâtre, ciment...). Celles-ci peuvent s'infiltrer jusqu'au moteur et éventuellement l'endommager. Si vous deviez le faire par mégarde, veuillez immédiatement nettoyer les filtres et par mesure de précaution, contacter votre centre de service afin de vérifier l'étendue des dommages.

***Veillez noter que pour le maintien de votre garantie, toute réparation ou entretien du moteur ou de l'appareil doit être effectué par un centre de service autorisé, avec des pièces d'origine Mvac ou Trovac.***

# DÉPANNAGE

PROBLÈME	CAUSE POSSIBLE	ACTION CORRECTIVE
<b>Diminution de la force d'aspiration.</b>	Le filtre ou le sac est plein.	Vider le filtre ou changer le sac, voir pages 11 et 12.
	Le couvercle est mal installé.	Vérifier les attaches et l'alignement du couvercle.
	Une prise d'aspiration est ouverte.	Fermer toutes les prises d'aspiration non-utilisées.
	La sortie d'air est obstruée.	Vérifier la sortie d'air (le silencieux) pour vous assurer qu'elle est bien dégagée.
	Le boyau flexible est obstrué.	Insérer l'embout de la poignée dans la prise d'aspiration pour renverser la succion dans le boyau. Bien couvrir l'ouverture autour de l'embout, pour assurer une étanchéité convenable, et veiller à ce que l'embout touche les contacts de la prise pour démarrer l'appareil et ainsi dégager le boyau.

# DÉPANNAGE

PROBLÈME	CAUSE POSSIBLE	ACTION CORRECTIVE
<b>Diminution de la force d'aspiration. (suite)</b>	Obstruction du système de conduits.	Retirer la vis dans le raccord à l'entrée d'air et retirer la connexion au système de conduits (voir figure 3, à la page 8). Démarrer l'appareil en branchant votre boyau à une prise d'aspiration. En plaçant votre main tendue sur l'ouverture d'entrée d'air de l'appareil, vérifier la force d'aspiration à la base de l'appareil même. Si elle est normale, l'obstruction est située quelque part dans les conduits. Si elle est diminuée ou inexistante, faites vérifier l'appareil par un centre de service autorisé.
<b>Si aucune de ces mesures ne restaure la force d'aspiration, veuillez contacter votre centre de service.</b>		

# DÉPANNAGE

PROBLÈME	CAUSE POSSIBLE	ACTION CORRECTIVE
<b>L'appareil ne démarre pas.</b>	La connexion électrique est fautive.	Veillez vous assurer que le cordon électrique est branché à une prise avec mise à la terre, selon les directives à la page 7.
	La connexion bas voltage est fautive.	Vérifier que les fils bas voltage sont bien insérés dans les bornes, selon les directives à la page 8.
	Une prise d'aspiration est défectueuse.	Faire fonctionner l'appareil sur les autres prises de la maison, pour identifier la prise fautive.
	Le disjoncteur de l'appareil est ouvert.	Appuyer sur le bouton de remise en circuit. Si l'appareil redémarre, mais s'arrête automatiquement, communiquer avec votre centre de service.
	Le disjoncteur de votre résidence est ouvert.	Remettre le disjoncteur en circuit. Vérifier que l'appareil est bien branché sur un circuit avec mise à la terre, selon les directives aux pages 13 et 14.
	Le boyau interrupteur est défectueux.	Tourner le boyau de $\frac{1}{4}$ de tour dans la prise d'aspiration. Si l'appareil démarre, faire vérifier le boyau par un centre de service autorisé.
<b>Si aucune de ces mesures ne fait démarrer votre appareil, veuillez contacter votre centre de service.</b>		

# DÉPANNAGE

PROBLÈME	CAUSE POSSIBLE	ACTION CORRECTIVE
<b>L'appareil n'arrête pas.</b>	Le boyau interrupteur est mal inséré dans la prise d'aspiration.	Veillez vous assurer que le boyau est bien placé dans la prise : que l'onglet sur le boyau est aligné avec les coches de la prise, pour assurer le bon fonctionnement de l'interrupteur sur le boyau, voir page 9.
	Le boyau interrupteur est défectueux.	Si le boyau est bien aligné, et que l'appareil fonctionne malgré que l'interrupteur du boyau est en mode « arrêt » (off), faites vérifier le boyau par un centre de service autorisé.
	Les connexions bas voltage sont fautives.	Pendant que l'appareil est en marche, débrancher les fils bas voltage de l'appareil. Si l'appareil cesse de fonctionner, il y a un fil bas voltage défectueux. Veuillez communiquer avec l'installateur ou le centre de service autorisé.
<b>Si malgré cela, votre appareil ne s'arrête toujours pas, veuillez contacter votre centre de service.</b>		

# GARANTIE

---

Les moteurs et les composantes électriques sont garantis à 100 % pour une période de 3 ans.

Pour le maintien de votre garantie, le service devra être effectué exclusivement par un centre de service autorisé Mvac utilisant des pièces d'origine Mvac ou Trovac.

La garantie ne couvre pas : l'usure normale de certaines composantes comme les filtres, les dommages dus (selon Mvac) à un usage abusif (ex. : poussière de plâtre, eau, etc.), l'usage commercial, le manque d'entretien adéquat, l'installation inadéquate, la négligence, les désastres naturels, les sinistres et les accidents.

Garantie pour un usage domestique seulement. Cette garantie n'est pas une modification — mais une addition — aux garanties stipulées par une législation civile. **Toute réclamation relative à cette garantie doit être accompagnée de la facture d'achat.** Toute modification apportée aux produits peut invalider la garantie. Les frais de transport et les appels de service ne sont pas couverts par la garantie. Cette garantie n'est pas transférable.

Conservez toutes preuves d'achat (facture, bon de livraison, etc.). La date indiquée sur ces documents établit la période de garantie. Si votre appareil requiert des réparations pendant la période de garantie, vous devrez présenter une preuve d'achat. Si celle-ci ne peut être présentée, la période de garantie sera déterminée selon la date de fabrication du produit.

Mvac ne sera pas tenu responsable des dommages directs ou indirects causés par l'utilisation de l'appareil d'aspiration centrale.

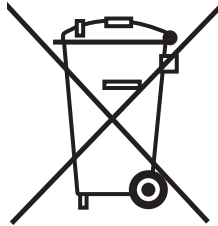
# DIRECTIVE DEEE

Cet appareil est conforme à la directive DEEE (Déchets d'équipements électriques et électroniques).

Cette directive entend promouvoir le recyclage des équipements électriques et électroniques (EEE) et inciter le développement de produits adaptés à une valorisation plus efficace en fin de vie.

La directive DEEE stipule que le fournisseur d'origine devrait reprendre l'appareil désuet sans frais au consommateur. Veuillez informer le fournisseur de votre désir de faire ramasser l'appareil usagé lorsque vous commandez un appareil de remplacement.

Ne pas jeter l'appareil avec les déchets non-triés. Le symbole de la poubelle sur roues sur l'appareil (**figure 12**) désigne cette exigence. Vous devez vous assurer que l'appareil est ramassé, traité et recyclé par une entreprise autorisée. Pour de plus amples informations, communiquez avec votre service de déchets municipal.



*figure 12*







## **MANUAL DE INSTRUCCIONES**

**SÓLO PARA USO DOMÉSTICO**

Por favor, lea atentamente este documento antes de proceder a la instalación y/o utilización de su sistema de aspiración central.

# MEDIDAS DE SEGURIDAD IMPORTANTES

La utilización de un aparato eléctrico exige ciertas precauciones.

Lea atentamente las instrucciones antes de poner en marcha el aparato.

## ADVERTENCIAS

Para reducir el riesgo de incendios, de electrocución o de heridas:

1. No deje el aparato conectado sin vigilancia. Desconecte el aparato cuando no lo esté utilizando, así como antes de limpiarlo.
2. No lo utilice en el exterior ni aspire restos húmedos.
3. Este aparato no está destinado para uso de los niños o de las personas que tienen incapacidad física, sensorial, motriz o intelectual, o de las personas que no tienen los conocimientos y/o la experiencia necesaria a su utilización a menos que estas personas hayan recibido las instrucciones necesarias referente al uso del aparato o que estén al cuidado de una persona responsable de su seguridad.
4. Cuando utilice el aparato, siga siempre nuestras indicaciones y emplee los accesorios recomendados por el fabricante.
5. No lo utilice si el cable o el enchufe presentan deficiencias técnicas o se encuentran en mal estado. Es importante enviar el aparato a un centro de servicio Mvac si no funciona correctamente o si se ha caído o se ha estropeado, olvidado a fuera o sumergido.
6. No arrastre, levante o tire el aparato por el cable. No utilice el cable como asidero, ni lo trabe en el marco de una puerta o contra las aristas vivas o esquinas. Tampoco arrastre el aparato por encima del cable. Mantenga el cable alejado de las superficies calientes.
7. No desconecte el aparato tirando del cable, en su lugar, tire del enchufe para la desconexión.
8. No toque el enchufe o el aparato mientras tenga las manos húmedas.
9. No introduzca ningún objeto en las tomas de aspiración. No utilice el aparato si una toma está bloqueada. Asegúrese de que el polvo, la pelusa, el pelo u otros restos no obstruyen la salida de aire.
10. Mantenga la ropa ancha, los dedos, el pelo y otras partes del cuerpo alejados de las tomas y de las piezas móviles.
11. No aspire materias en combustión que desprendan humo como cigarrillos, cerillas o ceniza caliente.
12. No utilice el aparato si la bolsa o el filtro no están correctamente colocados en su lugar.
13. Coloque todos los mandos en la posición APAGADO antes de desconectar el aparato.
14. Sea prudente al limpiar las escaleras.
15. No aspire líquidos inflamables o combustible como gasolina, ni utilice el aparato en aquellos lugares donde se encuentren dichos líquidos.
16. Conecte el aparato exclusivamente a un enchufe con toma de tierra. Por favor, consulte las instrucciones sobre las tomas de tierra.

## CONSERVE ESTAS INSTRUCCIONES

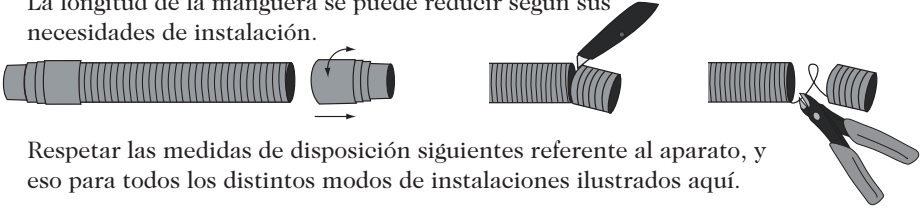
Prefacio	4
<b>INSTALACIÓN</b>	
Instalación	4
Conexiones electricas	6
Toma de tierra	7
Conexiones de bajo voltaje	8
<b>FUNCIONAMIENTO</b>	
Puestá en marcha	9
<b>MANTENIMIENTO</b>	
Motor	10
Mantenimiento - con bolsa	11
Mantenimiento - sin bolsa	12
<b>REPARACIÓN</b>	
Informaciones generales	13
Disminución de la fuerza de aspiración	14
El aparato no se enciende.	16
El equipo no se apaga.	17
<b>GARANTIA</b>	
Directiva DEEE	19

# PREFACIO

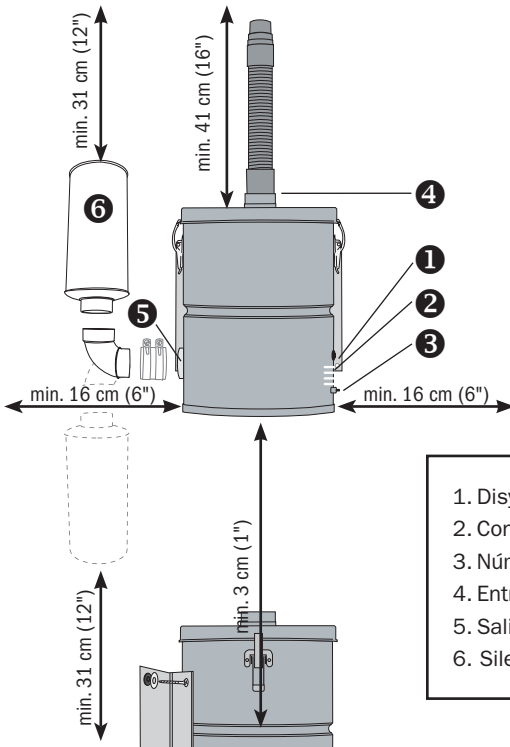
Su nuevo aparato a sido concebido y fabricado por el manufacturero de aspiración centralizada más grande de Canadá. Los 45 años de experiencia que tenemos en este sector nos permite ofrecerle un producto de alta calidad, el más adelantado en tecnología y la garantía de entera satisfacción.

# INSTALACIÓN

La longitud de la manguera se puede reducir según sus necesidades de instalación.

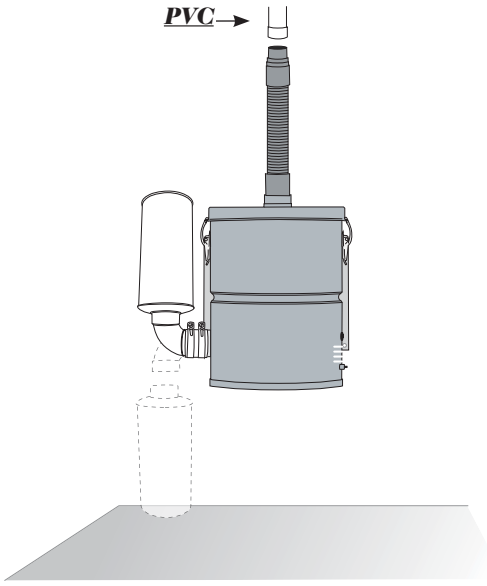


Respetar las medidas de disposición siguientes referente al aparato, y eso para todos los distintos modos de instalaciones ilustrados aquí.

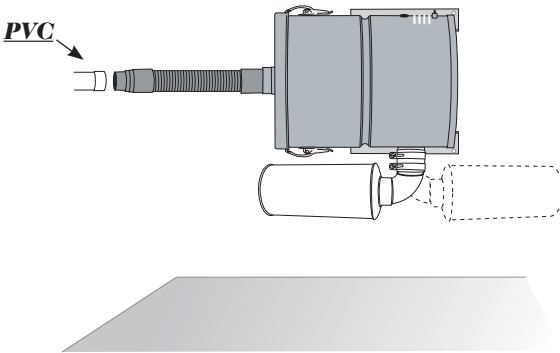


- 1. Disyuntor
- 2. Conector bajo voltaje
- 3. Número de serie
- 4. Entrada de aire
- 5. Salida de aire
- 6. Silenciador (opcional)

# INSTALACIÓN

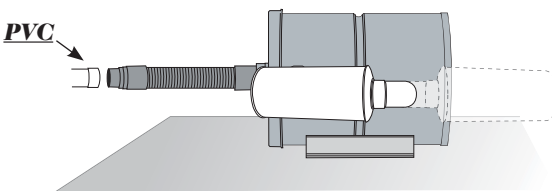


***Instalación vertical***



***Instalación horizontal***

Aparato fijado en la pared



***Instalación horizontal***

Aparato fijado en el suelo

# CONEXIONES ELECTRICAS

---

El aparato deberá instalarse a menos de un metro de una toma eléctrica. Una vez que se ha elegido un lugar propicio, conecte su central a la toma en un **circuito eléctrico con toma de tierra**. No utilice ninguna extensión eléctrica ni modifique la extensión del cable de su aparato.

## **CIRCUITO ELÉCTRICO DEDICADO\* CON TOMA DE TIERRA**

- **América del Norte**

120V : 15A

220V / 240V : 8A

Su aspirador central está provisto de una protección térmica o de un disyuntor que lo protege contra todo exceso de voltaje o defecto eléctrico. Si el disyuntor está defectuoso, póngase en contacto con su centro de servicio autorizado.

***Si considera que la instalación de su equipo resulta demasiado complicada, pida a su centro de servicio que realice la instalación en su lugar. En caso de duda, es conveniente recurrir a los servicios de un profesional y asegurarse de que la instalación se lleva a cabo correctamente ya que una instalación no conforme a las normas especificadas podría modificar o anular la garantía.***

# TOMA DE TIERRA

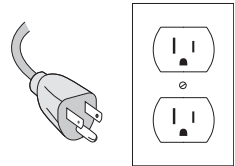
Este aparato debe conectarse a una toma de tierra. En caso de fallo o de avería, la toma de tierra proporciona a la corriente un camino de menor resistencia lo que reduce el riesgo de electrocución. Este aparato está provisto de un cable que posee un conductor de tierra y de un enchufe macho con toma de tierra. El enchufe debe conectarse a una toma apropiada correctamente instalada y conectada a tierra conforme a las regulaciones y ordenanzas locales. No debe utilizar ningún adaptador con este aparato.

## AVISO

Un conductor de tierra mal enchufado puede crear un riesgo de choque eléctrico. Consulte a un electricista o a un técnico de mantenimiento cualificado si no está seguro de que la toma está correctamente conectada a tierra. No modifique el enchufe provisto con el equipo. Si éste no se adaptara a la toma, pídale a un electricista cualificado que le instale una toma adecuada.

### **MODELOS 120V**

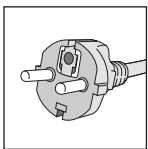
Este aparato está diseñado para un circuito de 120V y está provisto de un enchufe de toma de tierra similar al que se ilustra en el croquis anterior. Asegúrese de que el aparato está conectado a una toma que tenga la misma configuración que el enchufe. No debe utilizar ningún adaptador con este aparato.



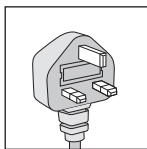
*figura 1*

### **MODELOS 220V/240V**

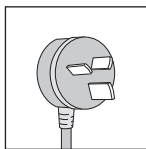
Este aparato está diseñado para un circuito de 220V / 240V, y viene provisto, de fábrica, de un cable y de un enchufe específicos que van a permitir su conexión a un circuito eléctrico apropiado. Asegúrese de que el aparato está conectado a una toma que presente la misma configuración que el enchufe. No debe utilizar ningún adaptador con este aparato. Si fuera necesario modificar las conexiones del equipo para adaptarlas a una alimentación eléctrica de otro tipo, la modificación deberá llevarla a cabo un técnico de mantenimiento cualificado.



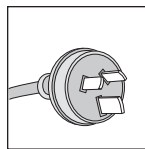
**Type C**



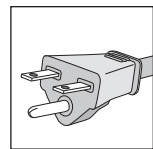
**Type G**



**Type H**



**Type I**



**Nema 6-15 R**

# CONEXIONES DE BAJO VOLTAJE

Conecte la línea de bajo voltaje a la toma de su aparato. Para hacerlo, pele el cable a una longitud de 0,5 cm (1/4"). Retire las terminales eléctricas de las tomas de bajo voltaje y prosiga según el tipo de cable y de toma utilizados.

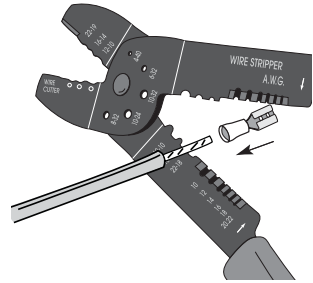
## **TOMAS ESTÁNDARES**

### **Todos los tipos de cable:**

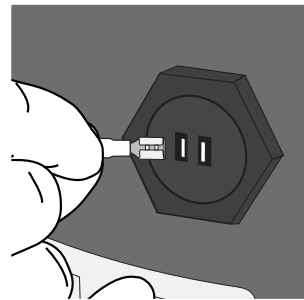
En prime lugar, enrosque el cable multifilamento. Introduzca el cable en la terminal (pequeño conector con terminación azul). Utilice un alicate para apretar la terminal en dos lugares: primero por delante para sostener el cable y después por detrás para apretar el aislante (**figura 2**). Si el aislante no recubre por completo el cable pelado, utilice cinta aislante para aislar correctamente el cable y evitar así cualquier tipo de contacto entre los dos cables. Introduzca la terminal en la toma de bajo voltaje (**figura 3**).

### **Para deshacer las conexiones:**

Retire simplemente la terminal de la toma de bajo voltaje. No tire del cable para desconectarlo.



**figura 2**



**figura 3**



# PUESTÁ EN MARCHA

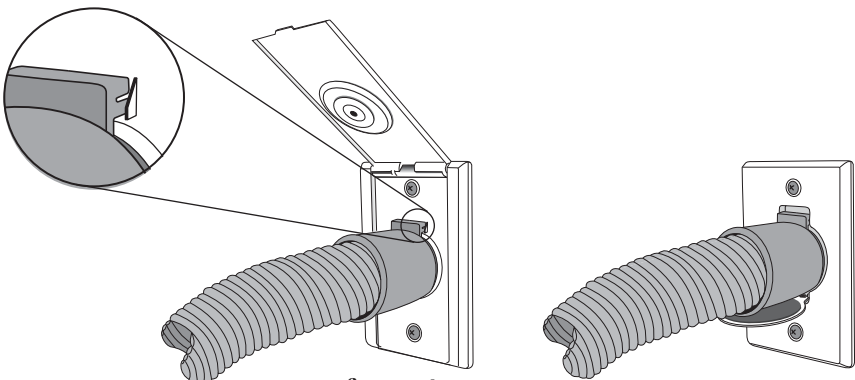
## ANTES DE UTILIZAR SU ASPIRADOR CENTRAL:

Verifique que éste se encuentra bien conectado a la red de tuberías, así como a un enchufe con toma de tierra y que los cables de bajo voltaje se encuentran bien introducidos dentro del conector (ver páginas 8 a la 16 para más información). Le aconsejamos que lea el manual de instrucciones al completo y que luego proceda a una verificación de la instalación:

- Asegúrese de que los filtros se encuentran intactos e instalados adecuadamente
- Verifique las juntas de estanqueidad de cada toma de aspiración
- Conecte la manguera en cada toma de forma alternativa para asegurarse del buen funcionamiento
- Mientras la manguera esté conectada a una toma y mientras que el sistema esté en funcionamiento, verifique las demás tomas para asegurarse de su hermetismo.

Para poner en marcha su aparato, sólo tiene que introducir la manguera en la toma de aspiración que usted elija. Asegúrese de que el inglete de la manguera se encuentra bien alineado entre las muescas de la toma de aspiración (**figura 4**). Si su manguera está provista de un interruptor, sólo tiene que encenderlo.

**No trate de abrir otra toma de aspiración cuando el aparato esté funcionando. Esta maniobra podría dañar la junta de estanqueidad de la toma.**



**figura 4**

# MOTOR

---

**Los motores Mvac no necesitan ningún tipo de lubricación.** Cada motor está provisto de dos cepillos eléctricos que se desgastarán normalmente y que deberán ser reemplazados. Para que su garantía siga siendo válida, este trabajo deberá efectuarse en un centro de servicio autorizado. La duración de los cepillos depende de varios factores: la frecuencia de los apagados / encendidos, la humedad, la altura y la temperatura ambiente. Los cepillos deberán cambiarse antes de que el desgaste llegue a estropear motor. Nosotros le aconsejamos que lleve su aparato por un centro de servicio cada 5 años para que lo revisen.

# MANTENIMIENTO



## UTILIZACIÓN CON BOLSA

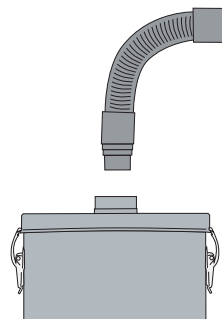
### **- REQUERIDO PARA TODA INSTALACIÓN HORIZONTAL**

Cambiar la bolsa cuando este lleno. Según la utilización del aparato, el tiempo de llenado puede variar.

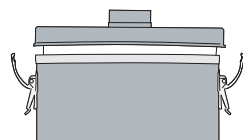
1. Desconectar el aspirador de la alimentación eléctrica.
2. Quitar la manguera del adaptador en la tapadera del aparato (**figura 5**).
3. Deshacer los 2 ataderos y quitar la tapadera del aparato (**figura 6**).
4. Mover la bolsa para alinear las marcas con las puntas del adaptador y quitar la bolsa
5. Cerrar la apertura con la pegatina prevista con este fin (ver las instrucciones en la bolsa). Tirar a la basura la bolsa usada.
6. Instalar la nueva bolsa, asegurándose de ajustar las marcas de la bolsa con las puntas del adaptador (**figura 7**). Luego efectuar una pequeña rotación para bloquearlas; así la bolsa está bien fijada.
7. Para una buena estanquidad, asegurarse de que la membrana de la bolsa está insertada correctamente hasta el anillo de bloqueo.
8. Volver a colocar la tapadera y cerrar herméticamente con la ayuda de dos ataderos.
9. Fijar la manguera a la tapadera del aparato.
10. Volver a conectar el aspirador a la alimentación eléctrica.

***Para asegurar la garantía de su aparato, hacer la substitución con bolsas auténticas.***

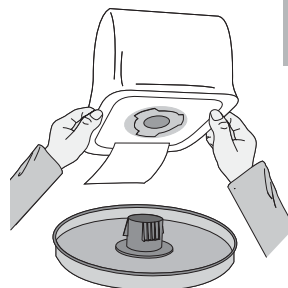
**CÓDIGO DE PRODUCTO :**  
**TDSAC70N**



**figura 5**



**figura 6**



**figura 7**

# MANTENIMIENTO



## UTILIZACIÓN SIN BOLSA

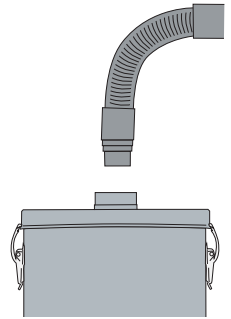
### - PARA INSTALACIONES VERTICAL ÚNICAMENTE

Le recomendamos vaciar y limpiar el filtro por le menos cada temporada, según la frecuencia de uso de su aspirador.

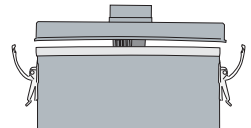
1. Desconectar el aspirador de la alimentación eléctrica.
2. Quitar la manguera del adaptador en la tapadera del aparato (**figura 8**).
3. Deshacer los 2 ataderos y quitar la tapadera del aparato (**figura 9**).
4. Sacar el filtro y vaciarlo en un recipiente apropiado.
5. Para limpiar el filtro, lavarlo a mano en agua templada y jabonosa. Aclarar correctamente. Asegurarse de que este completamente seco antes de volver a meterlo en el aparato. No poner en lavadora ni en secadora de ropa.



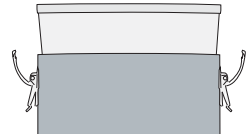
6. Volver a colocar el filtro asegurándose que la junta de estanquidad está bien insertada en el contorno del aparato (**figura 10**).
7. Volver a colocar la tapadera y cerrar herméticamente con la ayuda de los dos ataderos.
8. Fijar la manguera a la tapadera del aparato.
9. Volver a conectar el aspirador a la alimentación eléctrica.



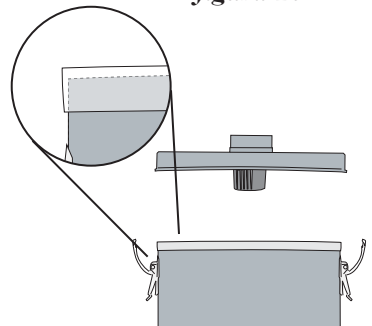
**figura 8**



**figura 9**



**figura 10**



**figura 11**

## INFORMACIONES GENERALES

---

Si su aspirador no funciona, verifique el disyuntor del aparato y/o de la caja eléctrica de su casa. Si es necesario, reemplace el elemento defectuoso. Asegúrese de que el aparato ha sido instalado adecuadamente, según las instrucciones del manual de instalación.

Su sistema de aspiración ha sido concebido para recoger materias secas (polvo) cada día. Ha sido aprobado por la agencia de certificación para uso en seco exclusivamente. No lo utilice en superficies mojadas.

En caso de que su aparato aspire líquidos, desconéctelo inmediatamente de la toma de corriente. Luego vacíe y seque la unidad, entonces conecte el aparato a partir de la toma donde usted ha aspirado el líquido, para de esta forma poder secar los conductos y eliminar la humedad.

No es nada aconsejable aspirar materias abrasivas (polvo de yeso, cemento...) ya que pueden infiltrarse en el motor y llegar a dañarlo. Si usted lo hiciera por descuido, limpie los filtros inmediatamente y, como medida de precaución, consulte con su centro de servicio con el objetivo de asegurarse de la magnitud del daño ocasionado.

***Para mantener la validez de su garantía, todas las reparaciones o recambios deberán realizarse en un centro de servicio autorizado, con piezas exclusivas de Mvac o Trovac.***

# REPARACIÓN

PROBLEMA	POSIBLE CAUSA	REPARACIÓN
<b>Disminución de la fuerza de aspiración</b>	El filtro o la bolsa están llenos.	Vaciar el filtro o cambiar la bolsa, ver páginas 11 y 12
	La tapadera está mal puesta.	Comprobar los ataderos y el alineamiento de la tapadera.
	Una toma de aspiración está abierta.	Cierre todas las tomas de aspiración que no esté utilizando.
	La salida de aire está obstruida.	Verifique la salida de aire (el silenciador) y asegúrese de que está bien despejada.
	La manguera está obstruida.	Introduzca la terminación de la empuñadura en la toma de aspiración para invertir la succión en la manguera. Cubra bien la apertura alrededor de la terminación para asegurar el hermetismo conveniente, y asegúrese de que la terminación toca los contactos de la toma para poner en marcha el aparato y así desbloquear la manguera.

# REPARACIÓN

PROBLEMA	POSIBLE CAUSA	REPARACIÓN
<b>Disminución de la fuerza de aspiración (continuación)</b>	Obstrucción del sistema de conductos.	Retire el tornillo del empalme de la entrada de aire y retire la conexión del sistema de conductos (ver figura 3 de la página 8). Encienda el aparato conectando su manguera a una toma de aspiración. Coloque su mano extendida sobre la apertura de la entrada de aire y verifique la fuerza de aspiración en la base del aparato. Si ésta es normal, la obstrucción se encontrará en algún sitio de los conductos. Si ésta ha disminuido o no existe, lleve su aparato por un centro de servicio autorizado
<b>Si ninguna de estas medidas logra restablecer la fuerza de aspiración consulte su centro de servicio.</b>		

# REPARACIÓN

PROBLEMA	POSIBLE CAUSA	REPARACIÓN
<b>El aparato no se enciende.</b>	La conexión eléctrica está defectuosa.	Asegúrese de que el cable eléctrico está enchufado a una toma conectada a tierra, en un circuito dedicado (según las instrucciones de la página 7).
	La conexión de bajo voltaje está defectuosa.	Verifique que las líneas de bajo voltaje están bien insertadas en las terminales, según las instrucciones de la página 8.
	Una toma de aspiración está defectuosa.	Pruebe el aparato en otras tomas de la casa, para poder aislar la toma defectuosa.
	El disyuntor del aparato está abierto.	Apriete el botón de puesta en marcha. Si el aparato se enciende, pero luego se apaga automáticamente, póngase en contacto con su centro de servicio.
	El disyuntor de su residencia se encuentra abierto.	Vuelva a poner el disyuntor en funcionamiento. Verifique que el aparato esté bien conectado en un circuito dedicado, según las instrucciones de las páginas 13 y 14.
	La manguera con interruptor está defectuosa.	Gire la manguera de ¼ de vuelta en la toma de aspiración. Si el aparato se enciende, lleve la manguera a un centro de servicio autorizado para que se la revisen.
<b>En el caso de que ninguna de estas medidas haga arrancar su aparato, contactar con su centro de servicio.</b>		



# REPARACIÓN

PROBLEMA	POSIBLE CAUSA	REPARACIÓN
<b>El equipo no se apaga.</b>	La manguera con interruptor está mal insertada en la toma de aspiración.	Asegúrese de que la manguera está colocada adecuadamente en la toma: que el inglete de la manguera está alineado con la escotadura de la toma para asegurar el buen funcionamiento del interruptor de la manguera (ver página 9).
	La manguera con interruptor está defectuosa.	Si la manguera se encuentra bien alineada y el aparato funciona a pesar de que el interruptor de la manguera esté en el modo “apagado” (off), lleve la manguera a un centro de servicio autorizado.
	Las conexiones de bajo voltaje se encuentran defectuosas.	Con el aparato en marcha, desconecte los cables de bajo voltaje. Si el aparato deja de funcionar, esto significa que los cables de bajo voltaje se encuentran defectuosos. Consulte con el instalador o con el centro de servicio autorizado.
<b>A pesar de esto, si su aparato no se parra, contactar con su centro de servicio.</b>		

# GARANTÍA

---

Los motores y los componentes eléctricos están garantizados 100% durante un período de 5 años.

Para mantener la validez de su garantía, el servicio deberá efectuarse por exclusivo en un centro de servicio autorizado Mvac utilizando piezas originales de Mvac o Trovac.

La garantía no cubre: el desgaste normal de ciertos componentes como los filtros, los daños debidos (según considere Mvac) al uso abusivo (por ejemplo polvo de yeso, agua etc.) el uso commercial, la falta de un mantenimiento adecuado, la instalación inadecuada, la negligencia, los desatres naturales, los siniestros y los accidentes.

Garantía para un uso doméstico exclusivamente. Está garantía no es una modificación – si no una adición – a las garantías estipuladas por la legislación civil. **Cualquier reclamación relativa a está garantía debe ir acompañada de la factura de compra.** Cualquier modificación hecha a dicho producto puede invalidar la garantía. Los gastos de transporte y las llamadas de servicios no están cubiertos por la garantía. Está garantía no es transferible.

Conserve todas las pruebas de compra (factura, recibo, etc.). La fecha indicada en dichos documentos establece el periodo de la garantía. Si su aparato requiere de reparaciones durante el periodo de garantía, debe presentar una prueba de compra. Si ésta no puede ser presentada, el periodo de garantía será determinado a partir de la fecha de fabricación del producto.

Mvac no se hace responsable de los daños directos o indirectos causados por la utilización del aparato de aspiración central.

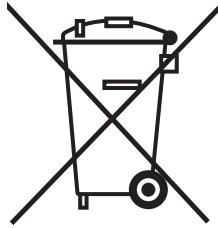
# DIRECTIVA DEEE

Este aparato está conforme con la Directiva DEEE (Desechos de Equipamientos Eléctricos y Electrónicos).

Esta Directiva tiene como objetivo promover el reciclaje de los equipamientos eléctricos y electrónicos (EEE) así que incitar el desarrollo de productos adaptados a un tratamiento y a una valorización más eficaz en finalización de vida.

La directiva DEEE estipula que el proveedor de origen debe recoger el aparato a reciclar sin coste alguno para el consumidor. Al pedir un aparato nuevo a su proveedor, Usted le informa también su deseo de que recoja el aparato antiguo.

El símbolo de la basura con ruedas pegado en el aparato (**figura 12**) significa que no hay que echar a la basura el aparato con los desechos que no han sido separados. Tiene Usted que asegurarse que el aparato va a ser recogido, tratado y reciclado por una empresa autorizada. Para más amplia información, no dude en contactar con el departamento encargado de los desechos en su municipio.



*figura 12*



**WWW.MVAC.COM**

**Head Office / Siège social / Oficina Central**

**CANADA**

895 Michèle-Bohec  
Blainville (Québec) J7C 5J6

Tel. : (450) 434-2233 · Fax : (450) 434-6111

info@trovac.com  
1 888 361-9553

**Distribution Centers / Centres de distribution / Centros de distribución**

**EUROPE**

BP 21  
44170 NOZAY  
FRANCE

N° vert : +33(0) 800 800 450 · Fax +33(0)2 40 51 48 35

info@mvac.eu



3123039