

Job or Customer :	
Location :	
Engineer :	
<input type="checkbox"/> Complies with Spec <input type="checkbox"/> Alternate	Notes :
Contractor :	
HeatLink Rep :	
Submitted By :	Date :
Approved By :	Date :
P.O. Number :	Date :

Description

These actuators allow for additional room temperature control in conjunction with a room thermostat by mounting on a TwistSeal™ supply manifold module (56200), Stainless Steel Manifold (56201), HeatLink® 62000 & 63000 series zone valves (56201), or TwistSeal™ Multiport Manifold (56202). Includes a heat demand LED indicator.

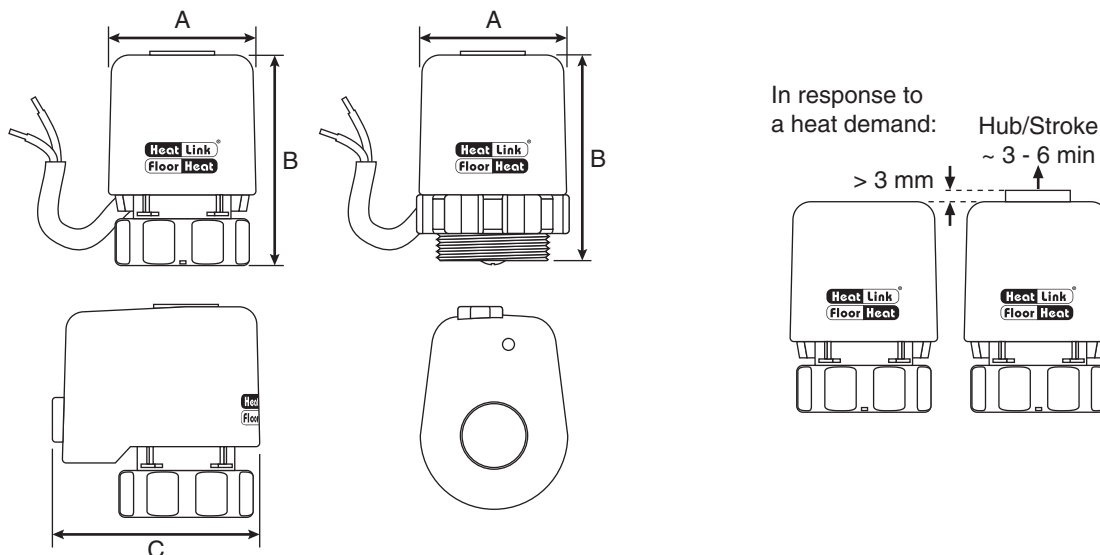
Technical Data

Operating Voltage:..... 24 V(ac)
 Power Consumption: 2 VA
 Max. Current..... 230 mA
 Type:..... Normally Closed
 Operating Temperature:..... -5°C to 60°C / 23°F to 138°F
 Protection Class: IP 40
 Force: 90 N
 Cable Length: 1 m / 3.28 ft

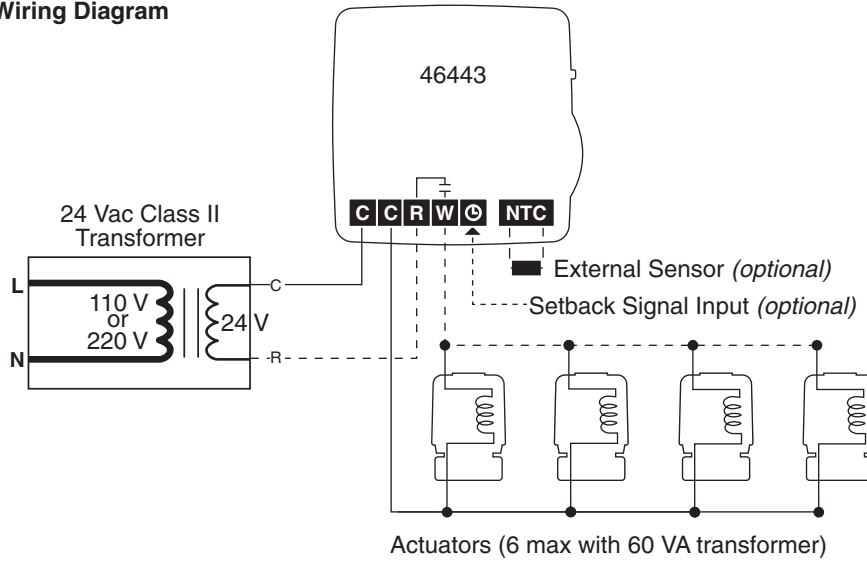
Standards / Listings

CE

Qty	Valve	Stk. #	Dimension			Weight
			A	B	C	
	TwistSeal® (55 mm) or TwistSeal® Mini (40 mm)	56200	1-1/2" (38 mm)	2-3/16" (56 mm)	2-3/16" (55 mm)	0.29 lb 130 g
	Zone Valve or Stainless Steel Manifold	56201	1-1/2" (38 mm)	2-3/16" (56 mm)	2-3/16" (55 mm)	0.31 lb 140 g
	TwistSeal® Mini Multiport	56202	1-1/2" (38 mm)	2-3/16" (55 mm)	2-3/16" (55 mm)	0.31 lb 140 g



Sample Wiring Diagram



Note: If there are >5 actuators for 1 zone, it may be more cost effective to have a separate manifold and use an actuator on a zone valve.

Installation

Installation of the thermostat must follow all of HeatLink's instructions and guidelines, including those in the StatLink Technical Guide.

Related Documents

- StatLink Technical Guide (L3710)
- StatLink Brochure (L3330)
- Component Warranty