



by **Schneider** Electric

I N S T A L L A T I O N

SWM-CA Series Corner Mount Adapter



C295M-A (12/09)

Contents

- Introduction 3
 - Important Safety Instructions 3
 - Description 3
 - Models 3
 - Parts List 3

- Installation 4

- Specifications 6

Introduction

IMPORTANT SAFETY INSTRUCTIONS

1. Read these instructions.
2. Keep these instructions.
3. Heed all warnings.
4. Follow all instructions.
5. Only use attachments/accessories specified by the manufacturer.
6. Installation should be done only by qualified personnel and conform to all local codes.
7. Use only installation methods and materials capable of supporting four times the maximum specified load.
8. Only use replacement parts recommended by Pelco.
9. Use stainless steel hardware to fasten the mount to outdoor surfaces.
10. To prevent damage from water leakage when installing a mount outdoors on a roof or wall, apply sealant around the bolt holes between the mount and mounting surface.

DESCRIPTION

The SWM-CA Series corner mount adapter is designed to adapt Pelco's SWM Series wall mount to the end of a wall or the corner of a structure. It can be used for indoor and outdoor applications. The adapter is constructed of aluminum and is available in a light gray or white polyester powder coat finish.

The SWM-CA24 houses a 100 vA transformer that converts 120 or 230 VAC input to 24 VAC. An input voltage selector switch and fuse are provided on the transformer module.

MODELS

SWM-CA	Corner adapter with cable feedthrough for use with the SWM Series wall mount; gray finish
SWM-CAWT	Same as SWM-CA except white finish
SWM-CA24	Same as SWM-CA except includes a 100 vA transformer to convert 120 or 230 VAC input to 24 VAC

PARTS LIST

Qty Description

- 1 Corner mount adapter
- 2 Screw, 1/4-20 x 0.375-inch (0.95 cm) socket head; for attaching the SWM Series wall mount to the corner mount adapter
- 3 Fast-acting fuses, 1.6 A, 120 VAC, (SWM-CA24 model only); one fuse ships in the transformer module fuse holder
- 3 Slow-blow fuses, 500 mA, 230 VAC (SWM-CA24 model only)

The following parts are needed but not supplied:

Qty Description

- 2 Stainless steel bolts, 0.375-inch (M8) diameter; appropriate length for attaching the corner mount adapter to the mount surface
- 1 Duct sealant

Installation

The corner mount adapter is attached to a wall; a mounting cleat (supplied with the SWM Series wall mount) is installed on the adapter with the stainless steel screws. Once the mounting cleat is firmly in position on the adapter, the SWM Series wall mount is then attached and held in place by a set screw. Both the adapter and mounting cleat have a feedthrough opening for electrical cables, but they do not have a conduit fitting.

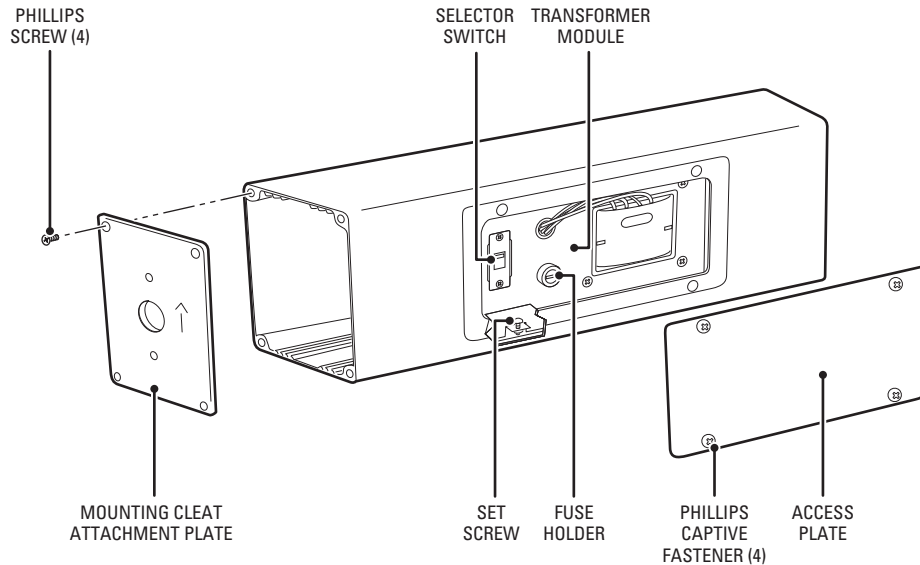


Figure 1. SWM-CA Series Corner Adapter Components

NOTES:

- Verify that the mounting surface can support four times the full load of the corner mount adapter, wall mount, and dome or camera. The maximum total weight for all components is approximately 16.0 lb (7.3 kg).
- All components in Figure 1 are included, except the following components that are available only with the SWM-CA24: transformer module, selector switch, fuse holder, and set screw.
- Make sure no moisture has condensed inside the mount before installation.

To install the corner mount adapter:

1. Loosen the four Phillips captive fasteners and remove the access plate.
2. *SWM-CA24 models:* Loosen the transformer module set screw and slide the module to the left or right to gain access to the electrical feedthrough and mounting bolt holes. To remove the transformer module completely for easier access:
 - a. Remove the four Phillips screws from the beveled end of the corner mount adapter to detach the mounting cleat attachment plate.
 - b. Slide the transformer module out of the corner mount adapter housing.
3. Using the corner mount adapter as a template, drill two mounting bolt holes and one electrical cable feedthrough hole in the mounting surface.
4. Attach the corner mount adapter to the mounting surface with two 0.375-inch (M8) diameter stainless steel bolts of appropriate length (not supplied). Apply duct sealant (not supplied) around the bolt holes between the corner mount adapter and the mounting surface. This will prevent water damage when installed on an outdoor wall. Duct sealant can be purchased at your local electrical supply store.
5. Pull the video, system power, and data cables through the previously drilled electrical cable feedthrough hole in the mounting surface. Apply duct sealant (not supplied) around the electrical cables in the mounting surface hole.
6. *SWM-CA or SWM-CAWT models:* Pull the video, system power, and data cables through the corner mount adapter and out the hole in the mounting cleat attachment plate. If the arrow stamped into the mounting cleat attachment plate is pointing downward, remove the four Phillips screws from the plate and reinstall it with the arrow pointing upward.
7. *SWM-CA24 models:* Attach the power cord to the transformer module and pull the cables through the hole in the mounting cleat attachment plate.
 - a. Reinstall the transformer module if it was removed earlier.

- b. Verify that electrical input power has been de-energized.
- c. Connect the AC high (brown wire), neutral (blue wire), and ground (green/yellow) wires from the transformer module to the user-supplied power source (refer to Figure 2).
- d. Set the input voltage selector switch on the transformer module to the appropriate voltage.
- e. Make sure the correct fuse is in the transformer module fuse holder for your input voltage. For 120 VAC, use the 1.6 A, 120 VAC fast-acting fuse; for 230 VAC, use the 500 mA, 230 VAC slow-blow fuse.

NOTE: The SWM-CA24 corner mount adapter is shipped with a 1.6 A, 120 VAC, fast-acting fuse in the fuse holder for 120 VAC operation.

- f. Remove the four Phillips screws from the beveled end of the adapter to detach the mounting cleat attachment plate, if it was not removed earlier. This provides easier access to the inside of the adapter.
- g. Pull the transformer power output, video, and data cables out of the beveled end of the corner mount adapter and pull the cables through the hole in the mounting cleat attachment plate.
- h. Reattach the mounting cleat attachment plate to the corner mount adapter. Position the plate so the embossed orientation arrow points upward.
- i. Center the transformer module in the corner mount adapter and tighten the set screw.

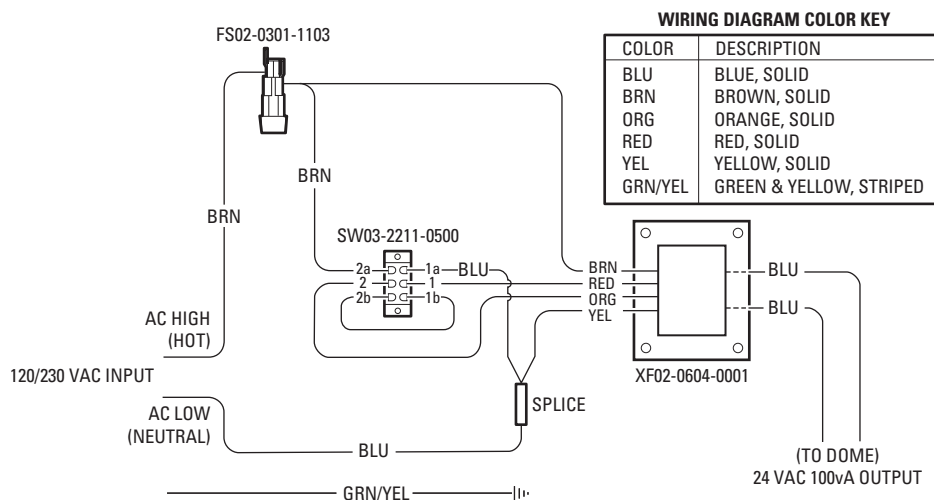


Figure 2. SWM-CA24 Wiring Diagram

8. On all models, reinstall the access plate by tightening the four Phillips captive fasteners.
9. Install the SWM Series wall mount (not supplied) to the corner mount adapter:
 - a. Pull the electrical cables through the hole in the mounting cleat (supplied with the SWM Series wall mount).
 - b. Install the cleat securely onto the adapter with two 1/4-20 x 0.375-inch (0.95 cm) socket head screws (supplied):
 - (1) Position the cleat so the elongated mounting hole is below the cable entry hole.
 - (2) Adjust the vertical alignment of the cleat.
 - (3) Tighten the screws.
 - c. Pull the electrical cables through the mount.
 - d. Hook the mount onto the top of the mounting cleat and position the mount flush against the corner mount adapter. Back out, if necessary, and tighten the set screw in the bottom of the mount only until the mount is snug against the surface of the adapter. *Do not overtighten.*
 - e. Attach the pendant component (dome, back box, or adapter) to the mount:
 - (1) Pull the electrical cables from the mount into the component.
 - (2) Apply anti-seize lubricant (supplied with the SWM Series wall mount) to the component pipe threads.
 - (3) Screw the component onto the mount.
 - (4) Complete the installation. Follow the instructions in the component manual.

Specifications

MECHANICAL

Construction	Aluminum
Finish	
SWM-CA, SWM-CA24	Light gray polyester powder coat
SWM-CAWT	White polyester powder coat
Mounting Method	Attach to a surface with two user-supplied 0.375-inch (M8) diameter stainless steel bolts of appropriate length. Two 1/4-20 x 0.375-inch (0.95 cm) stainless steel screws (supplied) are used to attach the SWM Series wall mount.
Cable Entry	One cable feedthrough hole in the adapter and the mounting cleat
Maximum Load	16.0 lb (7.3 kg)

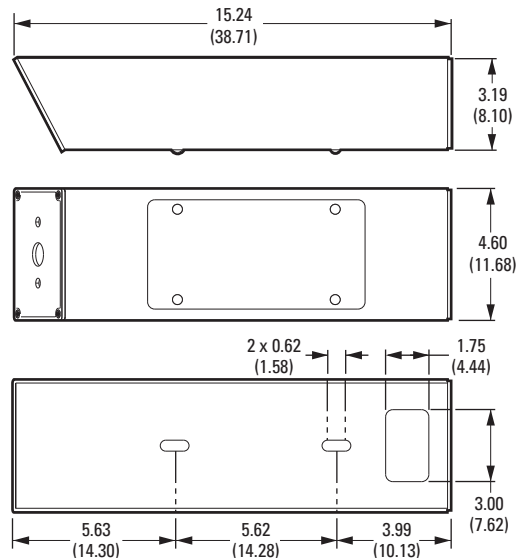
ELECTRICAL (SWM-CA24 only)

Input Power	Switchable 120/230 VAC, 50/60 Hz using internal slide switch
Output Power	24 VAC, 100 vA transformer
Circuit Protection	One 1.6 A, 120 VAC fast-acting fuse, or one 500 mA, 230 VAC slow-blow fuse

GENERAL

Environment	Indoor/outdoor
Operating Temperature (SWM-CA24)	-50° to 120°F (-46° to 49°C)
Dimensions	15.24" D x 4.60" W x 3.19" H (38.71 x 11.68 x 8.10 cm)
Weight	
SWM-CA, SWM-CAWT	3.1 lb (1.4 kg)
SWM-CA24	6.6 lb (3.0 kg)

(Design and product specifications subject to change without notice.)



NOTE: VALUES IN PARENTHESES ARE CENTIMETERS;
ALL OTHERS ARE INCHES.

PRODUCT WARRANTY AND RETURN INFORMATION

WARRANTY

Pelco will repair or replace, without charge, any merchandise proved defective in material or workmanship **for a period of one year** after the date of shipment.

Exceptions to this warranty are as noted below:

- Five years:
 - Fiber optic products
 - Unshielded Twisted Pair (UTP) transmission products
 - CC3701H-2, CC3701H-2X, CC3751H-2, CC3651H-2X, MC3651H-2, and MC3651H-2X camera models
- Three years:
 - Pelco-designed fixed network cameras and network dome cameras with Sarix™ technology.
 - Pelco-branded fixed camera models (CCC1390H Series, C10DN Series, C10CH Series, and IP3701H Series)
 - EH1500 Series enclosures
 - Spectra® IV products (including Spectra IV IP)
 - Camclosure® Series (IS, ICS, IP) integrated camera systems
 - DX Series digital video recorders, DVR5100 Series digital video recorders, Digital Sentry® Series hardware products, DVX Series digital video recorders, and NVR300 Series network video recorders
 - Endura® Series distributed network-based video products
 - Genex® Series products (multiplexers, server, and keyboard)
 - PMCL200/300/400 Series LCD monitors
- Two years:
 - Standard varifocal, fixed focal, and motorized zoom lenses
 - DF5/DF8 Series fixed dome products
 - Legacy® Series integrated positioning systems
 - Spectra III™, Spectra Mini, Spectra Mini IP, Esprit®, ExSite®, and PS20 scanners, including when used in continuous motion applications.
 - Esprit Ti and TI2500 Series thermal imaging products
 - Esprit and WW5700 Series window wiper (excluding wiper blades).
 - CM6700/CM6800/CM9700 Series matrix
 - Digital Light Processing (DLP®) displays (except lamp and color wheel). The lamp and color wheel will be covered for a period of 90 days. The air filter is not covered under warranty.
 - Intelli-M® eIDC controllers
 - PMCL542F, PMCL547F, and PMCL552F FHD monitors
- One year:
 - Video cassette recorders (VCRs), except video heads. Video heads will be covered for a period of six months.

- Six months:
 - All pan and tilts, scanners, or preset lenses used in continuous motion applications (preset scan, tour, and auto scan modes).

Pelco will warrant all replacement parts and repairs for 90 days from the date of Pelco shipment. All goods requiring warranty repair shall be sent freight prepaid to a Pelco designated location. Repairs made necessary by reason of misuse, alteration, normal wear, or accident are not covered under this warranty.

Pelco assumes no risk and shall be subject to no liability for damages or loss resulting from the specific use or application made of the Products. Pelco's liability for any claim, whether based on breach of contract, negligence, infringement of any rights of any party or product liability, relating to the Products shall not exceed the price paid by the Dealer to Pelco for such Products. In no event will Pelco be liable for any special, incidental, or consequential damages (including loss of use, loss of profit, and claims of third parties) however caused, whether by the negligence of Pelco or otherwise.

The above warranty provides the Dealer with specific legal rights. The Dealer may also have additional rights, which are subject to variation from state to state.

If a warranty repair is required, the Dealer must contact Pelco at (800) 289-9100 or (559) 292-1981 to obtain a Repair Authorization number (RA), and provide the following information:

1. Model and serial number
2. Date of shipment, P.O. number, sales order number, or Pelco invoice number
3. Details of the defect or problem

If there is a dispute regarding the warranty of a product that does not fall under the warranty conditions stated above, please include a written explanation with the product when returned.

Method of return shipment shall be the same or equal to the method by which the item was received by Pelco.

RETURNS

To expedite parts returned for repair or credit, please call Pelco at (800) 289-9100 or (559) 292-1981 to obtain an authorization number (CA number if returned for credit, and RA number if returned for repair) and designated return location.

All merchandise returned for credit may be subject to a 20 percent restocking and refurbishing charge.

Goods returned for repair or credit should be clearly identified with the assigned CA or RA number and freight should be prepaid.

10-19-09

 The materials used in the manufacture of this document and its components are compliant to the requirements of Directive 2002/95/EC.



This equipment contains electrical or electronic components that must be recycled properly to comply with Directive 2002/96/EC of the European Union regarding the disposal of waste electrical and electronic equipment (WEEE). Contact your local dealer for procedures for recycling this equipment.

REVISION HISTORY

Manual #	Date	Comments
C295M	8/99	Original version.
C295M-A	12/09	Reformatted manual. Added SWM-CAWT.

Pelco, the Pelco logo, Camclosure, Digital Sentry, Endura, Esprit, ExSite, Genex, Intelli-M, Legacy, and Spectra are registered trademarks of Pelco, Inc. Spectra III and Sarix are trademarks of Pelco, Inc. DLP is a registered trademark of Texas Instruments Incorporated.

All product names and services identified throughout this document are trademarks or registered trademarks of their respective companies. The absence of a trademark or registered trademark from this document does not constitute a waiver of intellectual property rights.

© Copyright 2009, Pelco, Inc. All rights reserved.

PELCO

by **Schneider** Electric

www.pelco.com

Pelco, Inc. Worldwide Headquarters 3500 Pelco Way Clovis, California 93612 USA
USA & Canada Tel (800) 289-9100 Fax (800) 289-9150
International Tel +1 (559) 292-1981 Fax +1 (559) 348-1120