

4 Signal Adder Module Installation Instructions

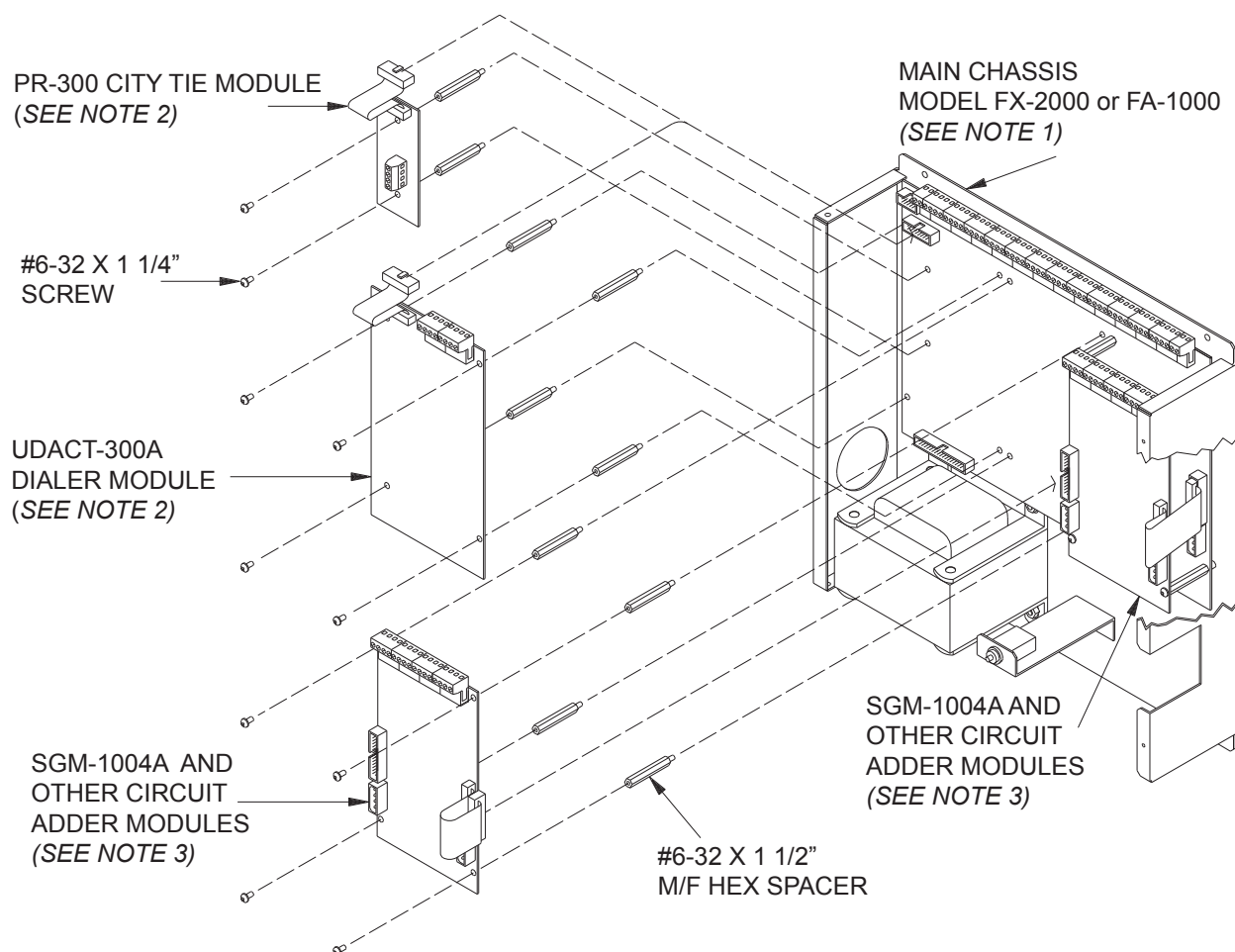
Module Mounting Locations

For the both the FA-1000 and FX-2000 Fire Alarm Panels, the SGM-1004A may be mounted in the same locations as other adder modules. Refer to Figure 1 below for mounting locations.



Note: Only the last circuit adder module should have a jumper plug on its continuity jumper; all others must be left without a jumper plug.

Figure 1: Module Mounting Locations

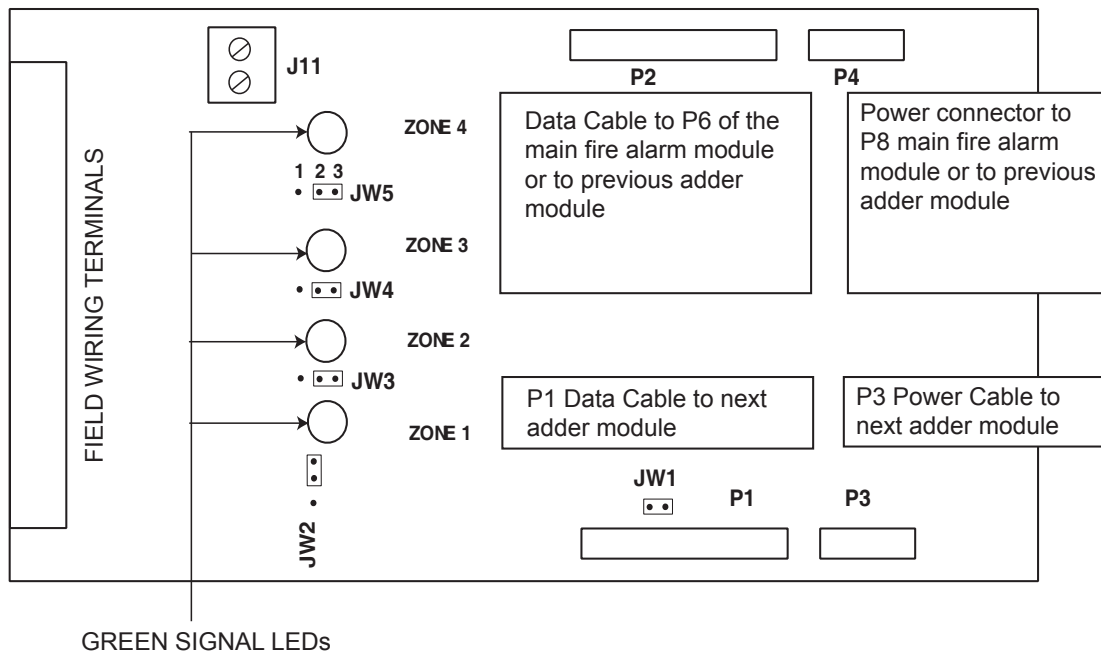


Notes:

1. Front plate is not shown.
2. Reserved for PR-300 or UDACT-300A .
3. Other circuit adder modules may be:
 - DM-1008A Detection Circuit Adder Module
 - **SGM-1004A Signal Circuit Adder Module**
 - RM-1008A Relay Circuit Adder Module
 - ALC-198S Loop Adder Module for FX-2000
 - ALC-396S Loop Adder Module for FX-2000
 - ALC-H16 Hardwire Loop Controller Module for FX-2000

Terminal and Jumper Locations

Figure 2: SGM-1004A Signal Adder Module



JW1: If and only if this module is the last in a chain of conventional adder modules, short this jumper. Otherwise this jumper must remain open.

JW2: For basic operation leave jumper as is. This jumper pertains to Zone 1.

JW3: For basic operation leave jumper as is. This jumper pertains to Zone 2.

JW4: For basic operation leave jumper as is. This jumper pertains to Zone 3.

JW5: For basic operation leave jumper as is. This jumper pertains to Zone 4.

JW11: For basic operation do not wire these terminals.

Note: Jumpers JW2, JW3, JW4 and JW5 are positioned on pins 2 and 3 (right two pins with board orientation as shown above) from factory.

Components

There are four green LEDs on the board, one for each signal zone. The LED will illuminate or flash following the signal rate sent to its zone. It will be OFF when the system is normal and they will illuminate when a signal zone is activated. The LED does not reflect what is happening on the signal zone, just that it is receiving data to activate that signal zone.

Operation

There are three modes of operation for this module. The basic mode of operation does not involve any bell cut relay or isolators connected to the signal zones. For this case, leave jumpers JW2, JW3, JW4 and JW5 as they come on pins 2 and 3, and do not make any connection to terminal block J11. The second mode provides bell cut operation which allows the silencing of the bells. The third mode is used when isolators are to be connected to the signal circuits. For further information on bell cut relays or isolators, please refer to the specific fire alarm panel manual or the isolator instruction manual.

Note: Refer to operating manual of the Fire Alarm Panel such as the FA-1000 and FX-2000 for complete and specific details regarding mounting, function selection and wiring.