


# ROCKER SWITCHES

PRODUCT NUMBER 1801.1303



## TECHNICAL DATA

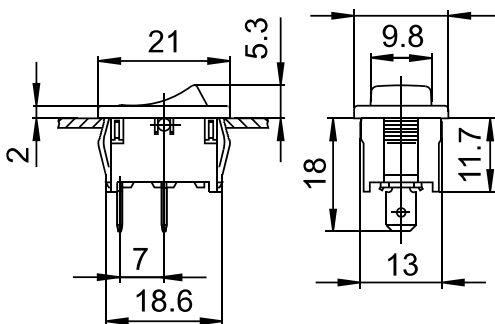
<b>Product number</b>	<b>1801.1303</b>	
Actuator color / printing		
Product family	Rocker switches	
Actuation type	direct	
Weight	3.700 g	
ROHS conform	yes	
Switching function	Normally closed contact (SPNC)	
Material fixed contact	Cu silver-plated	
Number of poles	1 - pole	
connections	Quick-connect terminal, 4.8 x 0.8	
Mechanical life endurance	10E4	
Rating IEC	4 (2) A 250 V AC 1E4	
Rating North America	4 A 250 V AC 1/10 HP 6 A 125 V AC 1/10 HP	
Contact resistance (new condition)	< 100 (1 A 12 V DC) mOhm	
Insulation resistance (new condition)	> 100 (500 V DC) MOhm	
Voltage strength at 250 V	→ function insulation / basic insulation	1 500 V
	→ reinforced insulation	3 000 V
	→ small contact distance	500 V
Proof tracking	250 PTI	
Insulation spacing	acc. to EN 61058 for reinforced or double insulation	
Protection type	→ Connection	IP 40
	→ Actuator	IP 40
Ambient temperature	-20 °C ... +100 °C	
Ambient temperature	-20 °C ... +55 °C	
Storage temperature	-40 °C ... +80 °C	
Flammability	UL 94 V-2	
Glow wire test temperature	850 °C	

Actuators and additional actuators	rocker: PA, red, with return compression spring
Housing description	housing: PA, black
Connection surface	→ bearing connection silver plated → external connection silver plated
Contact material	Ag
Contact distance	≥ 3 mm
Rating Code UL	R 52
Contact type	lifting contact
Plug force of the terminals	≤ 80 N
Approval marks	CSA / UL / ENEC 05
Suitable for appliances of protection class	II
Type of fastening	Snap fastening
Degree of pollution	3

## PRODUCT IMAGE



## DRAWINGS



X	Y	Z
0.75 ... 1.25	19.2 -0.1	12.9 +0.1
1.25 ... 2	19.4 -0.1	12.9 +0.1
2 ... 3	19.8 -0.1	12.9 +0.1

X = wall thickness

Technical changes reserved. Dimensions are not binding.  
Detailed specifications available on request.

Marquardt GmbH · Schloss-Straße 16 · 78604 Rietheim-Weilheim · Germany  
Phone: +49 (0) 7424 / 99-0 · Fax: +49 (0) 7424 / 99-2399 · [www.marquardt.com](http://www.marquardt.com) · [marquardt@marquardt.de](mailto:marquardt@marquardt.de)