

Auxiliary switch lateral, 1 NO + 1 NC Current path 1 NC, 1 NO for 3RH and 3RT screw terminal R: 31/32, 43/44 L: 51/52, 63/64



| General technical data   |   |
|--|---|
| Product brand name   | SIRIUS  |
| Suitability for use  | Contact relay and power contactor               |
| Protection class IP on the front   | IP20  |
| Ambient temperature  |   |
| <ul style="list-style-type: none"> <li>during storage</li> <li>during operation</li> </ul> | -55 ... +80 °C<br>-25 ... +60 °C                |
| Mechanical service life (switching cycles) typical   | 10 000 000                                      |
| Electrical endurance (switching cycles) at AC-15 at 230 V typical                          | 200 000   |
| Contact reliability of auxiliary contacts  | 1 faulty switching per 100 million (17 V, 1 mA) |
| Insulation voltage with degree of pollution 3 at AC rated value                            | 690 V   |
| Surge voltage resistance rated value   | 6 kV  |

| Auxiliary circuit  |        |
|--|--------|
| Number of NC contacts for auxiliary contacts   |        |
| <ul style="list-style-type: none"> <li>instantaneous contact</li> <li>lagging switching</li> </ul> | 1<br>0 |
| Number of NO contacts for auxiliary contacts   |        |

|   |        |
|---|--------|
| • instantaneous contact                                 | 1      |
| • leading contact                                       | 0      |
| <b>Operating current of auxiliary contacts at AC-12</b> |        |
| • at 24 V   | 10 A   |
| • at 230 V  | 10 A   |
| • maximum   | 10 A   |
| <b>Operating current</b>                                |        |
| • of auxiliary contacts                                 |        |
| — at AC-14  |        |
| — at 125 V  | 6 A    |
| — at 250 V  | 6 A    |
| — at AC-15  |        |
| — at 24 V   | 6 A    |
| — at 230 V  | 6 A    |
| — at 400 V  | 3 A    |
| • at AC-15 at 690 V rated value                         | 1 A    |
| <b>Operating current</b>                                |        |
| • of auxiliary contacts at DC-12                        |        |
| — at 24 V   | 10 A   |
| — at 110 V  | 3 A    |
| — at 220 V  | 1 A    |
| • with 2 current paths in series at DC-12               |        |
| — at 24 V rated value                                   | 10 A   |
| — at 60 V rated value                                   | 10 A   |
| — at 110 V rated value                                  | 4 A    |
| — at 220 V rated value                                  | 2 A    |
| — at 440 V rated value                                  | 1.3 A  |
| — at 600 V rated value                                  | 0.65 A |
| • with 3 current paths in series at DC-12               |        |
| — at 24 V rated value                                   | 10 A   |
| — at 60 V rated value                                   | 10 A   |
| — at 110 V rated value                                  | 10 A   |
| — at 220 V rated value                                  | 3.6 A  |
| — at 440 V rated value                                  | 2.5 A  |
| — at 600 V rated value                                  | 1.8 A  |
| <b>Operating current</b>                                |        |
| • of auxiliary contacts at DC-13                        |        |
| — at 24 V   | 6 A    |
| — at 60 V   | 2 A    |
| — at 110 V  | 1 A    |
| — at 220 V  | 0.3 A  |

- with 2 current paths in series at DC-13
  - at 24 V rated value 10 A
  - at 60 V rated value 3.5 A
  - at 110 V rated value 1.3 A
  - at 220 V rated value 0.9 A
  - at 440 V rated value 0.2 A
  - at 600 V rated value 0.1 A
- with 3 current paths in series at DC-13
  - at 24 V rated value 10 A
  - at 60 V rated value 4.7 A
  - at 110 V rated value 3 A
  - at 220 V rated value 1.2 A
  - at 440 V rated value 0.5 A
  - at 600 V rated value 0.26 A

#### Installation/ mounting/ dimensions

|                      |                  |
|----------------------|------------------|
| <b>Mounting type</b> | snap-on mounting |
| <b>Width</b>         | 10 mm            |
| <b>Height</b>        | 57.4 mm          |
| <b>Depth</b>         | 66 mm            |

#### Connections/ Terminals

|   |   |
|---|---|
| <b>Type of electrical connection for auxiliary and control current circuit</b>  | screw-type terminals  |
| <b>Type of connectable conductor cross-sections</b>   |   |
| <ul style="list-style-type: none"> <li>• for auxiliary contacts           <ul style="list-style-type: none"> <li>— finely stranded</li> <li>— with core end processing</li> </ul> </li> <li>• at AWG conductors for auxiliary contacts</li> </ul> | 2x (0.5 ... 1.5 mm <sup>2</sup> ), 2x (0.75 ... 2.5 mm <sup>2</sup> )<br>2x (20 ... 16), 2x (18 ... 14) |

#### Safety related data

|   |           |
|---|-----------|
| <b>Product function Mirror contact acc. to IEC 60947-4-1</b>              | Yes       |
| <ul style="list-style-type: none"> <li>• Note</li> </ul>                  | with 3RT2 |
| <b>Product function positively driven operation acc. to IEC 60947-5-1</b> | No        |

#### Certificates/ approvals

|                          |     |
|--------------------------|-----|
| General Product Approval | EMC |
|--------------------------|-----|



CCC



CSA



UL

[KC](#)



RCM

|                           |                   |                   |
|---------------------------|-------------------|-------------------|
| Declaration of Conformity | Test Certificates | Shipping Approval |
|---------------------------|-------------------|-------------------|



EG-Konf.

[Miscellaneous](#)

[Type Test Certificates/Test Report](#)

[Special Test Certificate](#)



ABS



BUREAU VERITAS

|                   |       |
|-------------------|-------|
| Shipping Approval | other |
|-------------------|-------|



LRS



PRS



RINA



RMRS

[Confirmation](#)



VDE

|         |
|---------|
| Railway |
|---------|

[Vibration and Shock](#)

[Special Test Certificate](#)

[Type Test Certificates/Test Report](#)

|                     |
|---------------------|
| Further information |
|---------------------|

**Information- and Downloadcenter (Catalogs, Brochures,...)**

<https://www.siemens.com/ic10>

**Industry Mall (Online ordering system)**

<https://mall.industry.siemens.com/mall/en/en/Catalog/product?mlfb=3RH2921-1DA11>

**Cax online generator**

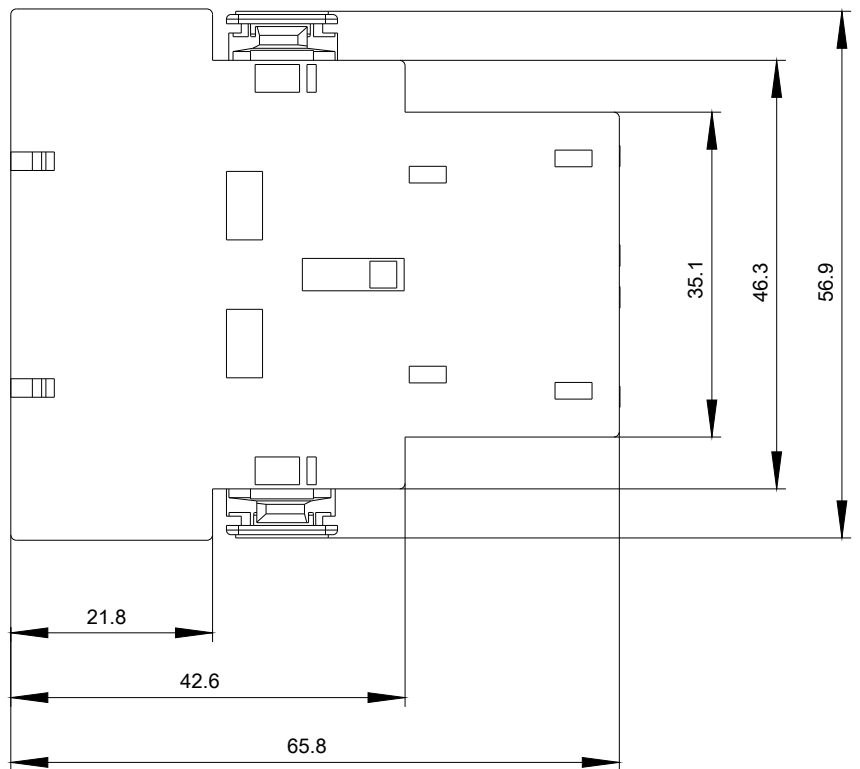
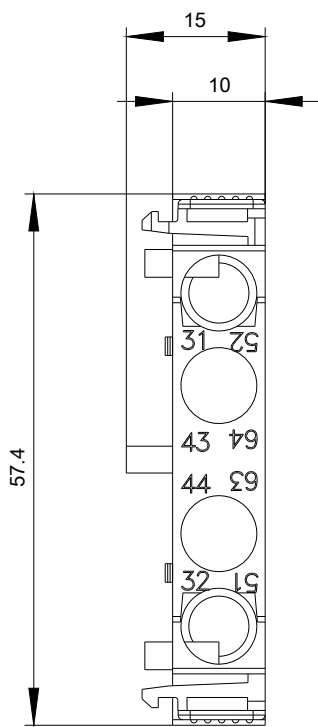
<http://support.automation.siemens.com/WW/CAXorder/default.aspx?lang=en&mlfb=3RH2921-1DA11>

**Service&Support (Manuals, Certificates, Characteristics, FAQs,...)**

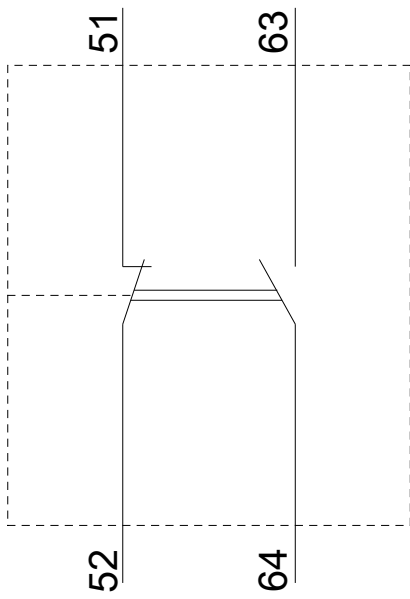
<https://support.industry.siemens.com/cs/ww/en/ps/3RH2921-1DA11>

**Image database (product images, 2D dimension drawings, 3D models, device circuit diagrams, EPLAN macros, ...)**

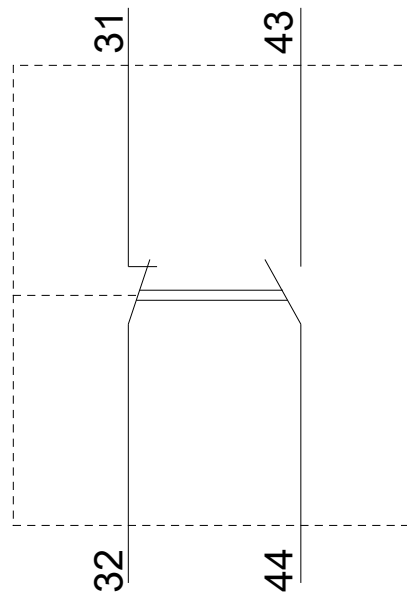
[http://www.automation.siemens.com/bilddb/cax\\_de.aspx?mlfb=3RH2921-1DA11&lang=en](http://www.automation.siemens.com/bilddb/cax_de.aspx?mlfb=3RH2921-1DA11&lang=en)



Links / left



Rechts / right



last modified:

03/06/2020