



Description

Mircom's MS-400ID Series are single action manual alarm manual stations. Each manual station, on command from the panel, returns data representing the status of the unit. The addressable manual station has DIP switches which allow for address setting.

Pulling the handle initiates the operation of the addressable module. Resetting is accomplished by inserting a 1/8" screwdriver from the front. The handle, once pulled will remain open and cannot be reset without utilizing the screwdriver.

The MS-400ID Series manual stations are constructed of durable aluminium and finished in red. An abrasion resistant label with large, raised letters provides clear legible instructions.

The model MS-402ID (two stage) is similar to the MS-401ID (single stage) except it contains an additional General Alarm (G.A.) N.O. switch. For safety reasons, the G.A. switch is only accessible after the handle has been pulled. A special key is supplied with each unit.

Features

- Durable Extruded Aluminium Construction
- Attractive, Low Profile Design
- Standard Single Gang Mount
- Single and Two Stage models
- Glass Rod Optional
- Permanently Attached Intelligent Addressable Module
- Compatible with Mircom's FX-350 Series Intelligent Fire Alarm Control Panels

Operation

Pulling on the station's handle will release the internal switch to trigger the intelligent addressable module. The MS-402ID (two stage version) also provides a key switch which is accessible after the handle has been pulled. Operation of the key switch, when connected to a separate general alarm circuit, will initiate the 2nd stage of a two stage alarm signalling system.

Engineer Specifications

The single action manual station shall be Mircom's MS-400ID Series. Operating instructions shall be in raised English and French Lettering and the unit shall be constructed of extruded aluminium, finished in red enamel paint to provide quick identification. Pulling the handle shall initiate immediate operation of the intelligent addressable module. In addition, those stations installed in a two stage system shall come equipped with an internal key switch designed to operate the 2nd stage alarm initiating circuit. All manual fire alarm stations shall be installed as per the specific requirements outlined in the ULC codes, as well as all other applicable national or local codes.



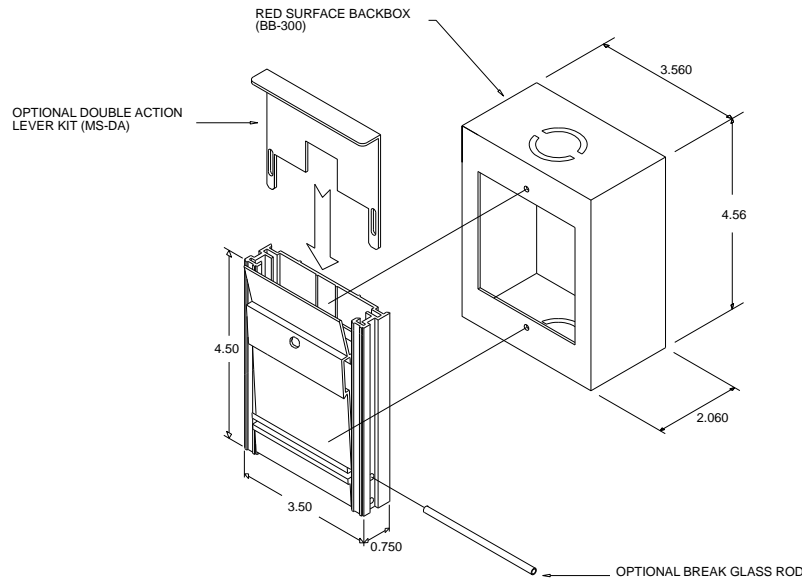
S7005

CATALOG NUMBER 5677

NOT TO BE USED FOR INSTALLATION PURPOSES.

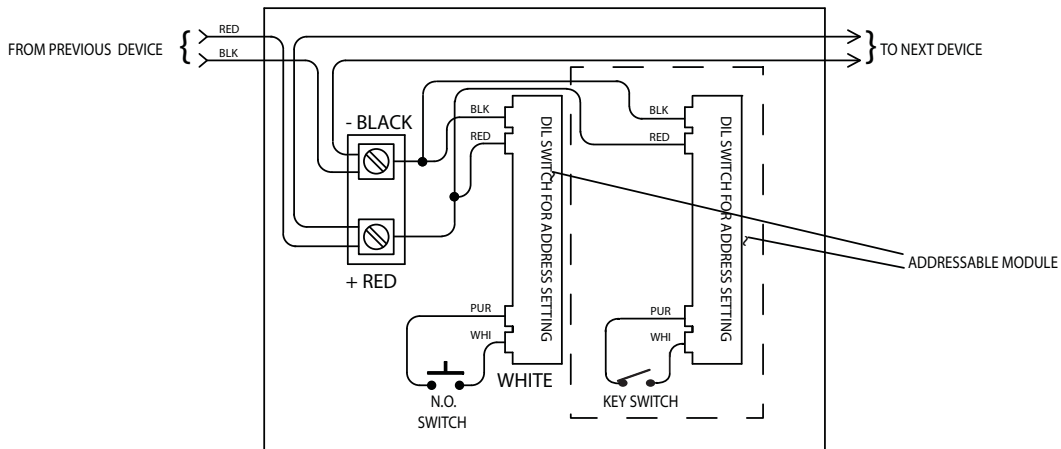
Mircom reserves the right to make changes at any time without notice in prices, colours, materials, components, equipment, specifications and models and also to discontinue models.

Dimensions



Wiring Diagram

MS-401ID AND MS-402ID



Specifications

Dimensions	4.5"H x 3.5"W x 0.75"D
Switch Rating	1 Amp @ 30 VDC, 0.1 Amp @ 120 VAC

Ordering Information

Model	Description
MS-401ID	Alpha Addressable Single Stage Manual Station
MS-402ID	Alpha Addressable Two Stage Manual Station

NOT TO BE USED FOR INSTALLATION PURPOSES.



Canada
 25 Interchange Way
 Vaughan, Ontario L4K 5W3
 Telephone: (905) 660-4655
 Fax: (905) 660-4113

U.S.A.
 4575 Witmer Industrial Estates
 Niagara Falls, NY 14305
 Toll Free: (888) 660-4655
 Fax Toll Free: (888) 660-4113

Distributed by:

Web page: <http://www.mircom.com> Email: mail@mircom.com

ISO 9001:2008
 REGISTERED



CAT. 5677
 Rev. 1