

## ORDERING INFORMATION

Order code: 31527  
 Description: E2642-347-A-TDE-FLX  
 UPC: 69549315273



## SPECIFICATIONS

Ballast type: Electronic  
 Starting method: Program Start  
 Lamp connection: Series  
 Input voltage (V): 347 V  
 Input frequency (Hz): 50/60 HZ  
 Max. case temperature: 90 °C  
 Thermal protection: Class P  
 Type: 1 Outdoor  
 Contains PCBs: No  
 Sound rating: A  
 Open current voltage (OCV) (V): 550  
 Inherent thermal protection: Yes  
 Lamp protection circuit: Yes  
 ICES-005 Compliant: Class A RFLD



Lamp Type:	Number of lamps	Rated lamp watts	Min. start temp. (°F / °C)	Input current (A)	Input power (ANSI watts)	Ballast factor	Max THD (%)	Power factor	Max. lamp current crest factor	B.E.F.
<b>347 VOLTS</b>										
PL42/TTT (42W)	2	42	-22/-30	0.27	94	0.91	10	0.99	1.7	0.97
PL32/TTT (32W)	2	32	-22/-30	0.20	70	0.92	15	0.98	1.7	1.31
PL26/TTT (26W)	2	26	-22/-30	0.18	60	1.00	20	0.97	1.7	1.67
PL40/TTL (40W)	2	40	-22/-30	0.26	88	0.91	15	0.98	1.7	1.03
PL39/TTL (39W)	2	39	-22/-30	0.20	68	0.61	20	0.97	1.7	0.90
PL36/TTL (36W)	2	36	-22/-30	0.21	70	0.88	15	0.98	1.7	1.26
PL27/TTL (27W)	2	27	-22/-30	0.17	50	1.02	30	0.97	1.7	2.04
PL57/TTT (57W)	1	57	-22/-30	0.18	60	0.95	20	0.97	1.7	1.58
PL42/TTT (42W)	1	42	-22/-30	0.14	48	0.99	30	0.97	1.7	2.06
PL32/TTT (32W)	1	32	-22/-30	0.10	36	0.99	30	0.96	1.7	2.75
PL26/TTT (26W)	1	26	-22/-30	0.09	31	1.00	35	0.95	1.7	3.23
PL55/TTL (55W)	1	55	-22/-30	0.15	47	0.69	30	0.97	1.7	1.47
PL50/TTL (50W)	1	50	-22/-30	0.14	47	0.78	30	0.97	1.7	1.66
PL40/TTL (40W)	1	40	-22/-30	0.13	44	0.91	30	0.96	1.7	2.07
PL39/TTL (39W)	1	39	-22/-30	0.10	36	0.67	35	0.95	1.7	1.86
PL36/TTL (36W)	1	36	-22/-30	0.10	35	0.89	35	0.95	1.7	2.54
2D (38W)	1	38	-22/-30	0.15	40	0.89	30	0.96	1.7	2.23

### WARRANTY:

Ballast warranty of 5 years for electronic ballast 70-75 °C. Ballast warranty of 3 years for electronic ballast 90 °C. For more information visit our website.

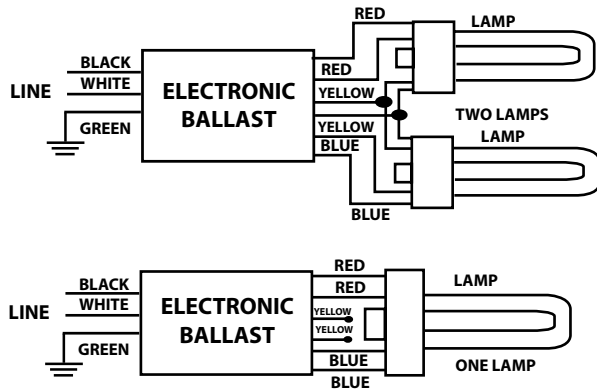
Data is based upon tests performed in a controlled environment and representative of relative performance. Actual performance can vary depending on operating conditions. Specifications are subject to change without notice.

March 30, 2015

## ORDERING INFORMATION

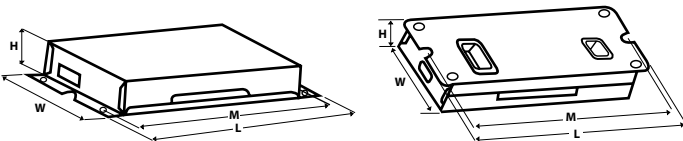
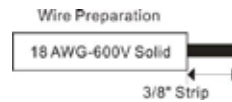
Order code: 31527  
 Description: E2642-347-A-TDE-FLX  
 UPC: 69549315273

## WIRING DIAGRAM



## BALLAST DIMENSIONS

Length (L):	5.00" (12.7 cm)
Width (W):	3.00" (7.7 cm)
Height (H):	1.34" (3.4 cm)
Mounting (M):	4.60" (11.7 cm)



## WARRANTY:

Ballast warranty of 5 years for electronic ballast 70-75 °C. Ballast warranty of 3 years for electronic ballast 90 °C. For more information visit our website.

Data is based upon tests performed in a controlled environment and representative of relative performance. Actual performance can vary depending on operating conditions. Specifications are subject to change without notice.  
 March 30, 2015