



# SBP-125WMW1

Wall Mount



### Key Features

- Weight : 505g (1.11lb)
- Material : Body- Aluminum, Cover- Polycarbonate (PC)
- Dimension: 174.4x128.5x118.3mm (6.87x5.06x4.66")
- Color: White

### Compatible Accessories (Optional)



QND-6011



QND-6021



QND-8011



QND-8021



QND-6012R



QND-6022R



QND-6072R



QND-6082R



QNE-8011R



QNE-8021R



LND-6012R



LND-6022R



LND-6072R



QND-7012R

# SBP-125WMW1

Wall Mount



## Specifications

Mechanical	
Color	White
Material	Body : Aluminum Cover : Polycarbonate(PC)
RAL code	RAL9003
Product dimensions / weight	174.4x128.5x118.3mm(6.87x5.06x4.66"), 505g(1.11lb)
Mount Screw size	TR20
Conduit hole	19.1mm(3/4") (M25)
Supported products	QNV-C8011R/C8012/C9011R, QND-6011/6021/8011/8021, QND-6012R/22R, QND-6072R/82R, QNE-8011R/21R, LND-6012R/22R/72R, QND-7012R/22R/82R

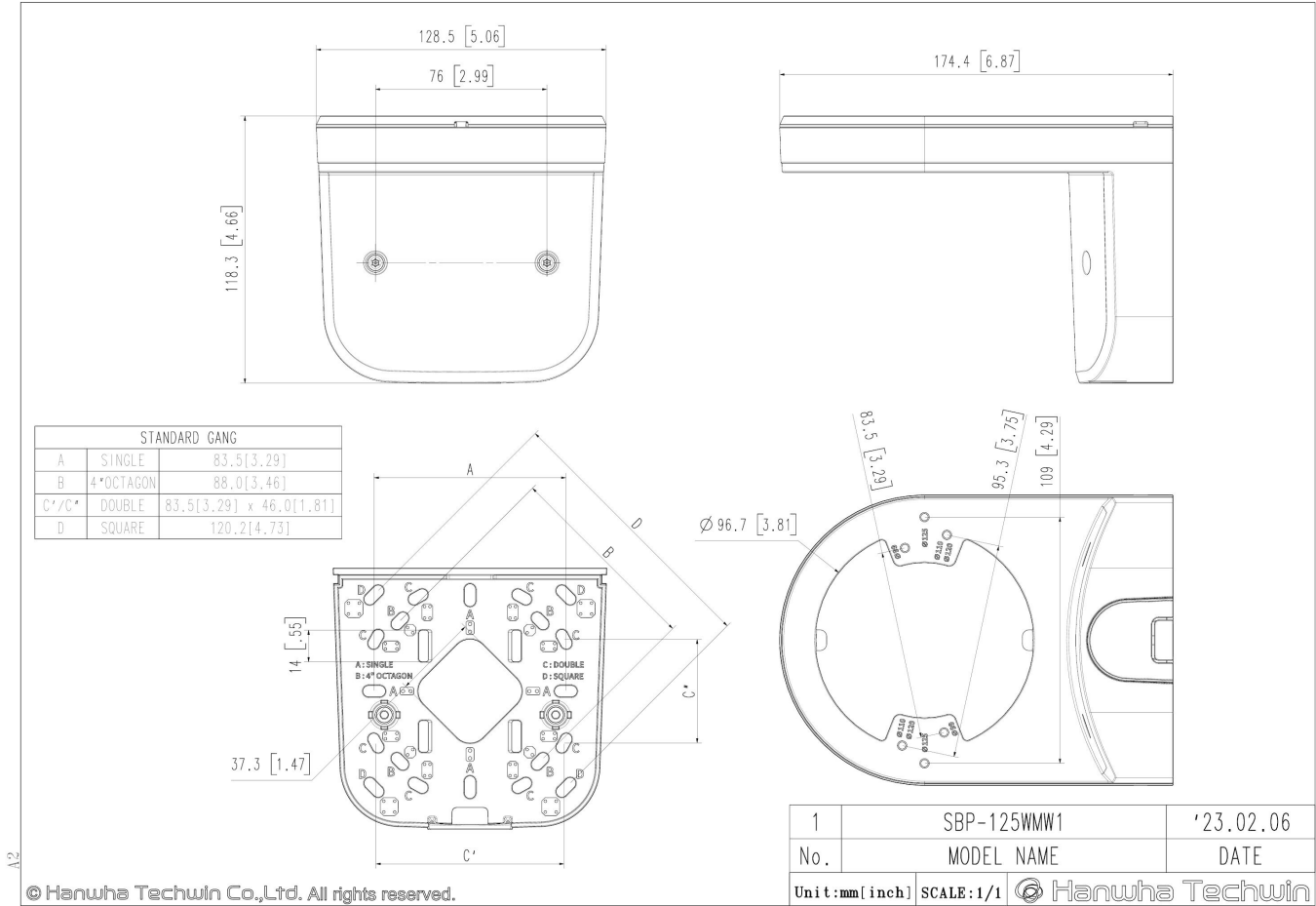
# SBP-125WMW1

Wall Mount



CAD

Unit:mm [inch]



© Hanwha Techwin Co.,Ltd. All rights reserved.